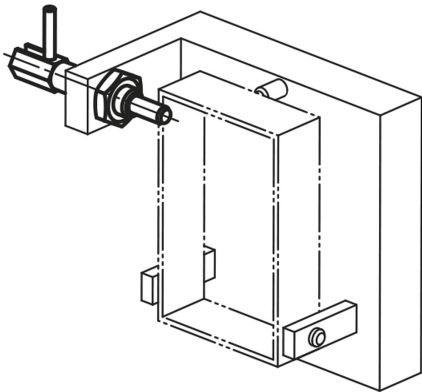


Indexing plungers, steel with draw hook

Item description/product images



Description

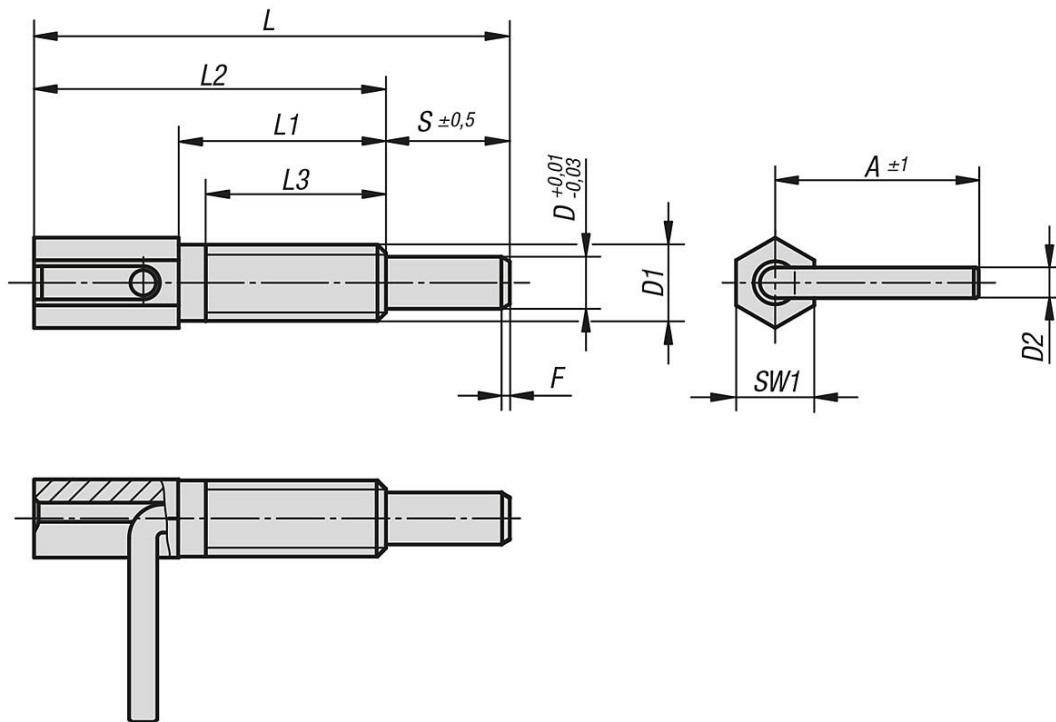
Material:
Steel grade 5.8.

Version:
Trivalent blue passivated.

Note:
Indexing plungers are used to prevent any change in locking position due to lateral forces. A new locking position can only be set after the pin has been manually disengaged.

On request:
Special versions.

Drawings



Overview of items

Indexing plungers, steel with draw hook

Overview of items

Indexing plungers

| Order No. | A | D | D1 | D2 | L | L1 | L2 | L3 | Travel S | SW1 | Fx30° | Spring force initial pressure F1 approx. N | Spring force final pressure F2 approx. N | Tightening torque max. Nm |
|-------------------|------|----|-----|-----|-------|------|------|------|-------------|-----|-------|--|--|---------------------------------|
| B0054.1104 | 16 | 4 | M6 | 2,3 | 41,5 | 20 | 32 | 17 | 9,5 | 6 | 0,7 | 3 | 10 | 1,6 |
| B0054.1905 | 19 | 5 | M8 | 3 | 54 | 27 | 42 | 24 | 12 | 8 | 0,9 | 3,5 | 13,5 | 4,5 |
| B0054.1206 | 23,5 | 6 | M10 | 3,5 | 65 | 33,5 | 51 | 30 | 14 | 10 | 1,1 | 4 | 16 | 10 |
| B0054.1308 | 31 | 8 | M12 | 4,7 | 73 | 31,8 | 54 | 28 | 19 | 12 | 1,3 | 4 | 22 | 13 |
| B0054.1410 | 33 | 10 | M16 | 4,7 | 102,5 | 50,5 | 77,5 | 44,5 | 25 | 16 | 1,6 | 4 | 23 | 42 |