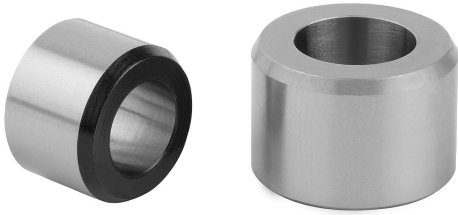


Bushes cylindrical

Item description/product images



Description

Material:

Steel or 1.4034 stainless steel.

Version:

Steel version:

black oxidised, hardened and ground.

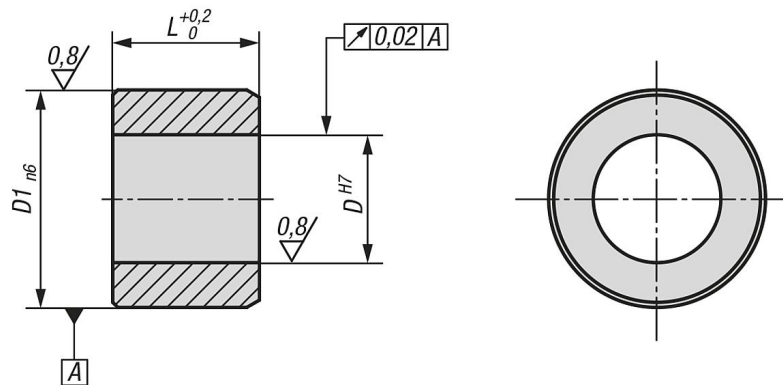
Stainless steel version:

bright, hardened and ground.

Assembly:

To increase the coaxial alignment accuracy, the hole for the bush and the premium indexing plunger can be machined simultaneously.

Drawings



Overview of items

Cylindrical bushes

Order No.	Main material	D	D1	L
B0056.9005	steel	5	8	6
B0056.9006	steel	6	10	7
B0056.9008	steel	8	13,5	9,5
B0056.9010	steel	10	17	11,5
B0056.90005	stainless steel	5	8	6
B0056.90006	stainless steel	6	10	7
B0056.90008	stainless steel	8	13,5	9,5
B0056.90010	stainless steel	10	17	11,5