

Bushes cylindrical

Item description/product images

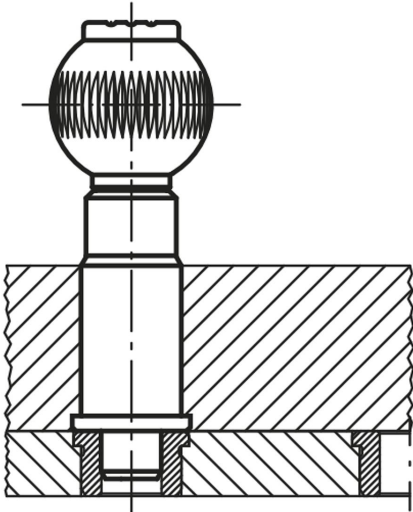


Description

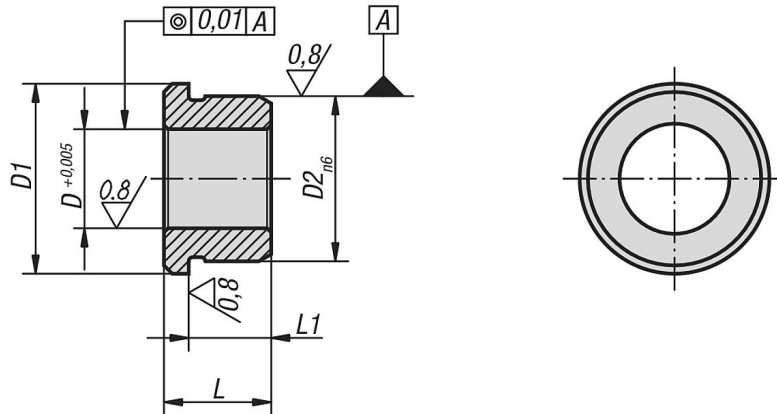
Material:
Steel.

Version:
Hardened and ground.

Note:
Bushes for precision indexing plungers B0059.



Drawings



Overview of items

Cylindrical bushes

Order No.	D	D1	D2	L	L1
B0060.10	10	19	16	11	8,5
B0060.12	12	23	20	13	10
B0060.16	16	28	25	17	14
B0060.20	20	33	30	16	13
B0060.25	25	42	38	19	16

Bushes cylindrical

Overview of items
