

Locating pins with internal thread

Item description/product images



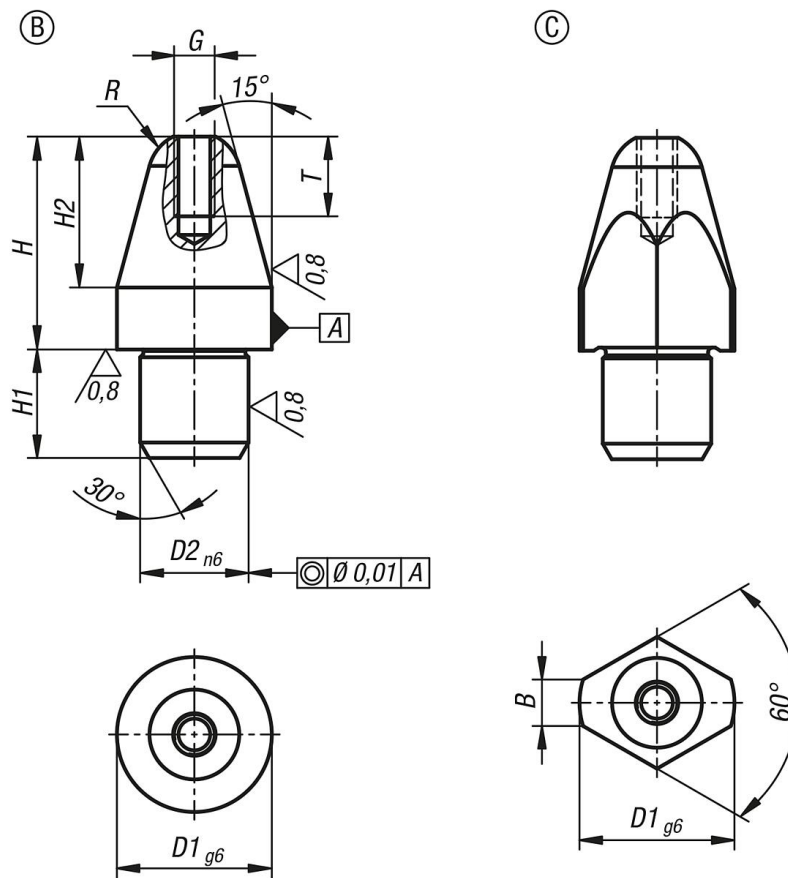
Description

Material:
Steel.

Version:
Hardened and ground (HRC 60 ±2).

Drawing reference:
Form B: cylindrical pin
Form C: rhomboid pin

Drawings



Overview of items

Locating pins with internal thread

Order No.	Form	Version 1	B	D1	D2	G	H	H1	H2	R	T
B0181.205	B	short	-	5	3	-	8	3	5	1,50	-
B0181.206	B	short	-	6	4	-	10	4	6	1,80	-
B0181.208	B	short	-	8	6	M2,5	11,4	6	7,4	2,5	5
B0181.210	B	short	-	10	7	M2,5	13,7	7	9,7	3	5
B0181.212	B	short	-	12	8	M3	16	8	12	3,5	6
B0181.216	B	short	-	16	12	M4	20	12	15	5	8
B0181.220	B	short	-	20	14	M5	25,5	14	19,5	6	10
B0181.305	B	long	-	5	3	-	10	3	5	1,50	-

Locating pins with internal thread

Overview of items

Order No.	Form	Version 1	B	D1	D2	G	H	H1	H2	R	T
B0181.306	B	long	-	6	4	-	12	4	6	1,80	-
B0181.308	B	long	-	8	6	M2,5	17,4	6	7,4	2,5	5
B0181.310	B	long	-	10	7	M2,5	21,7	7	9,7	3	5
B0181.312	B	long	-	12	8	M3	24	8	12	3,5	6
B0181.316	B	long	-	16	12	M4	29	12	15	5	8
B0181.320	B	long	-	20	14	M5	35,5	14	19,5	6	10
B0181.405	C	short	-	5	3	-	8	3	5	1,50	-
B0181.406	C	short	-	6	4	-	10	4	6	1,80	-
B0181.408	C	short	2,5	8	6	M2,5	11,4	6	7,4	2,5	5
B0181.410	C	short	3,0	10	7	M2,5	13,7	7	9,7	3	5
B0181.412	C	short	3,5	12	8	M3	16	8	12	3,5	6
B0181.416	C	short	5	16	12	M4	20	12	15	5	8
B0181.420	C	short	6	20	14	M5	25,5	14	19,5	6	10
B0181.505	C	long	-	5	3	-	10	3	5	1,50	-
B0181.506	C	long	-	6	4	-	12	4	6	1,80	-
B0181.508	C	long	2,5	8	6	M2,5	17,4	6	7,4	2,5	5
B0181.510	C	long	3,0	10	7	M2,5	21,7	7	9,7	3	5
B0181.512	C	long	3,5	12	8	M3	24	8	12	3,5	6
B0181.516	C	long	5	16	12	M4	29	12	15	5	8
B0181.520	C	long	6	20	14	M5	35,5	14	19,5	6	10