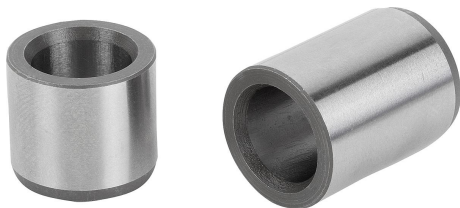


# Locating bushes for locating pins

## Item description/product images

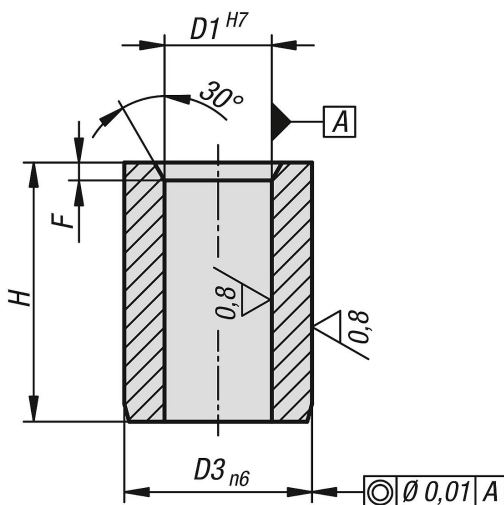


### Description

**Material:**  
Steel.

**Version:**  
Hardened and ground (HRC 60 ±2).

## Drawings



## Overview of items

### Locating bushes for locating pins

Order No.	Version 1	D1	D3	F	H
B0182.0508	short	5	8	1	8
B0182.0610	short	6	10	1	10
B0182.0812	short	8	12	1,2	12
B0182.1014	short	10	15	1,5	14
B0182.1216	short	12	18	1,5	16
B0182.1620	short	16	26	1,5	20
B0182.2026	short	20	30	2,5	26
B0182.0510	long	5	8	1	10
B0182.0612	long	6	10	1	12
B0182.0818	long	8	12	1,2	18
B0182.1022	long	10	15	1,5	22
B0182.1224	long	12	18	1,5	24
B0182.1630	long	16	26	1,5	30
B0182.2036	long	20	30	2,5	36