

Rest pads pin form, internal thread

Item description/product images



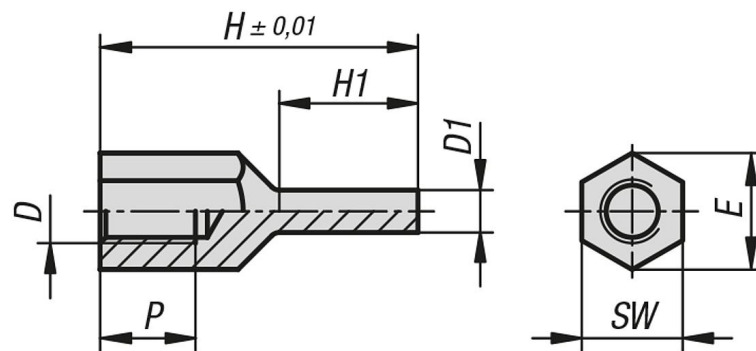
Description

Material:
Carbon steel.

Version:
Tempered, black oxidised.
Seating face inductively hardened and ground.

Note:
The rest pads can be used both as a stable and precise support and as a stop.
The pin form of the rest pad also allows it to be used with components with constricted support points.

Drawings



Overview of items

Rest pads, pin form with internal thread

Order No.	D	D1	E	H	H1	P	SW
B0190.2060420	M6	4	11	20	8,5	6	10
B0190.2060430	M6	4	11	30	13,5	9	10
B0190.2080430	M8	4	14,4	30	13	10	13
B0190.2080440	M8	4	14,4	40	18	14	13
B0190.2080630	M8	6	14,4	30	13	10	13
B0190.2080640	M8	6	14,4	40	18	14	13
B0190.2100630	M10	6	19	30	12	10	17
B0190.2100650	M10	6	19	50	25	15	17
B0190.2100830	M10	8	19	30	12	10	17
B0190.2100850	M10	8	19	50	25	15	17

Rest pads pin form, internal thread

Overview of items

Order No.	D	D1	E	H	H1	P	SW
B0190.2120640	M12	6	21,2	40	18	12	19
B0190.2120660	M12	6	21,2	60	28	18	19
B0190.2120840	M12	8	21,2	40	18	12	19
B0190.2120860	M12	8	21,2	60	28	18	19