

# Rest pads

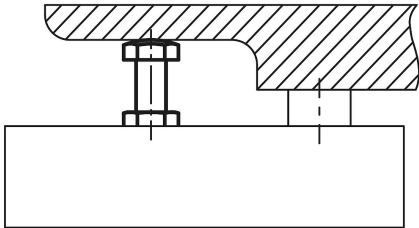
## Item description/product images



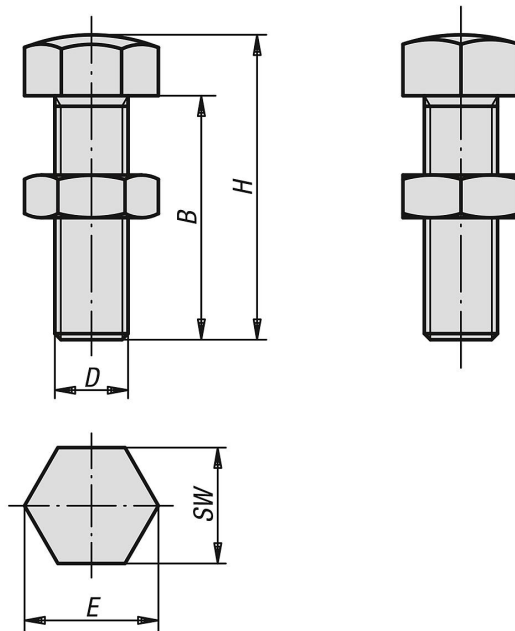
### Description

**Material:**  
Carbon steel or brass

**Version:**  
High-carbon steel tempered and black oxidised.  
Brass bright.



## Drawings



## Overview of items

### Rest pads

Order No.	Main material	B	D	E	H	SW
B0195.06030	QT steel	25	M6	11,5	30	10
B0195.06040	QT steel	35	M6	11,5	40	10
B0195.06050	QT steel	45	M6	11,5	50	10
B0195.08036	QT steel	30	M8	15	36	13
B0195.08046	QT steel	40	M8	15	46	13
B0195.08056	QT steel	50	M8	15	56	13
B0195.10042	QT steel	35	M10	19,6	42	17
B0195.10048	QT steel	40	M10	19,6	48	17

## Rest pads

### Overview of items

Order No.	Main material	B	D	E	H	SW
B0195.10058	QT steel	50	M10	19,6	58	17
B0195.10068	QT steel	60	M10	19,6	68	17
B0195.12048	QT steel	42	M12	21,9	50	19
B0195.12070	QT steel	60	M12	21,9	70	19
B0195.12080	QT steel	70	M12	21,9	80	19
B0195.16055	QT steel	45	M16	27,7	55	24
B0195.16075	QT steel	65	M16	27,7	75	24
B0195.16085	QT steel	75	M16	27,7	85	24
B0195.12148	brass	42	M12	21,9	50	19
B0195.16155	brass	45	M16	27,7	55	24