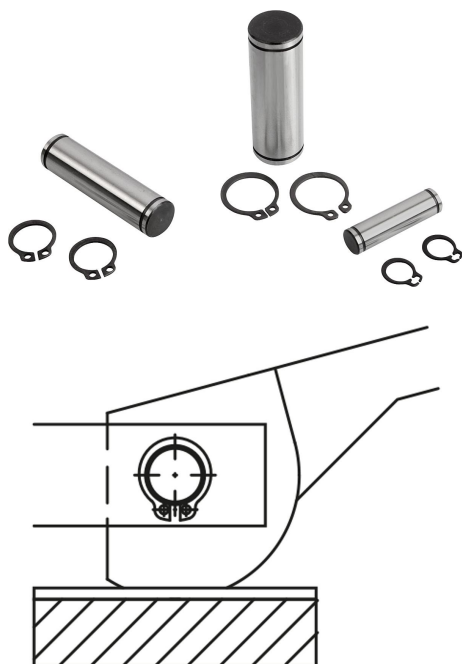


Hinge pins steel or stainless steel

Item description/product images



Description

Material:
Steel or stainless steel.

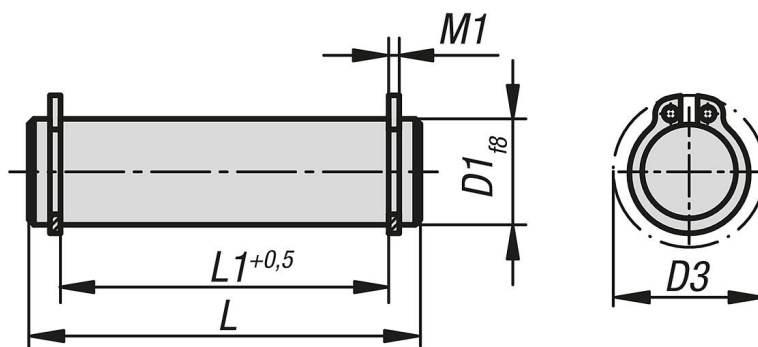
Version:
Steel version:
tempered to 1000 - 1200 N/mm², black oxidised.
Stainless steel version:
tempered to 900 - 1050 N/mm², bright.

Note for ordering:
2 matching DIN 471 circlips are supplied.

Note:
For use with:
Cam levers B0426 and B0427.
Eye bolts B0129 and B0128.

Advantages:
Ground OD.
High dimensional accuracy.
Suitable for use as spare part.
Matching circlips included.

Drawings



Overview of items

hinge pin

Order No.	Main material	D1	L	L1	M1	D3
B0430.05	steel	5	18	13	0,7	10,7
B0430.06	steel	6	22	17	0,8	12,2
B0430.081	steel	8	20	16	0,9	15,2
B0430.082	steel	8	27	21	0,9	15,2
B0430.08	steel	8	30	25	0,9	15,2
B0430.101	steel	10	25	20	1,1	17,6
B0430.102	steel	10	35	29	1,1	17,6
B0430.10	steel	10	37	32	1,1	17,6
B0430.121	steel	12	31	25	1,1	19,6
B0430.122	steel	12	37	31	1,1	19,6

Hinge pins steel or stainless steel

Overview of items

Order No.	Main material	D1	L	L1	M1	D3
B0430.12	steel	12	46	40	1,1	19,6
B0430.14	steel	14	44	37	1,1	22
B0430.16	steel	16	48	41	1,1	24,4
B0430.18	steel	18	58	51	1,3	26,8