

## Spring plungers smooth version, plastic

### Item description/product images



### Description

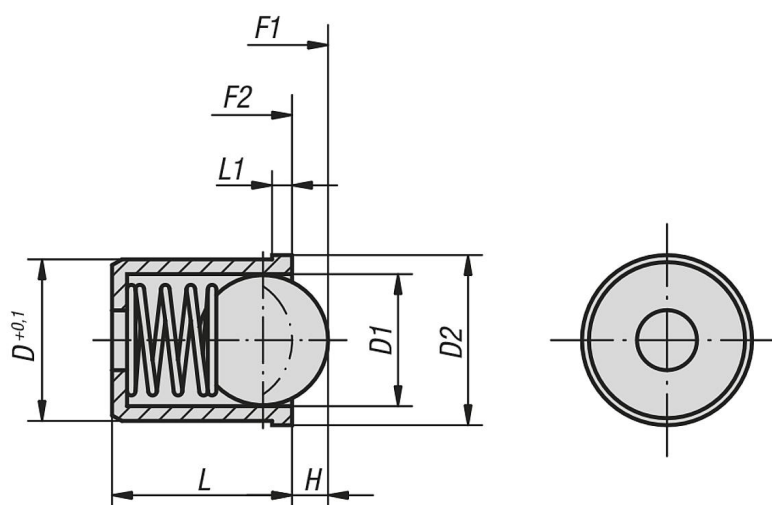
#### Material:

Sleeve thermoplastic.  
Spring stainless steel.  
Ball stainless steel or POM.

#### Version:

Sleeve black.  
Ball hardened, bright.

### Drawings



### Overview of items

#### Spring plungers smooth version, plastic

Order No.	Component material	D	D1	D2	H	L	L1	Spring force initial pressure F1 approx. N	Spring force final pressure F2 approx. N
B0032.04	stainless steel	4	3	4,6	0,7	5	1	3	7
B0032.05	stainless steel	5	4	5,6	1	6	1	4	7
B0032.06	stainless steel	6	5	6,5	1,5	7	1	6	12
B0032.08	stainless steel	8	6,5	8,5	1,8	9	1	6	12
B0032.10	stainless steel	10	8	12	2,7	13,5	2,5	10	20
B0032.12	stainless steel	12	10	14	3,5	16	2,5	15	25
B0032.204	POM	4	3	4,6	0,7	5	1	3	7
B0032.205	POM	5	4	5,6	1	6	1	4	7
B0032.206	POM	6	5	6,5	1,5	7	1	6	12
B0032.208	POM	8	6,5	8,5	1,8	9	1	6	12
B0032.210	POM	10	8	12	2,7	13,5	2,5	10	20
B0032.212	POM	12	10	14	3,5	16	2,5	15	25

