

Lateral spring plungers with threaded sleeve

Item description/product images



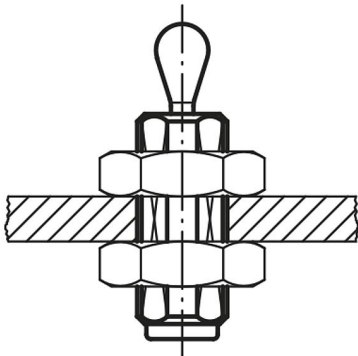
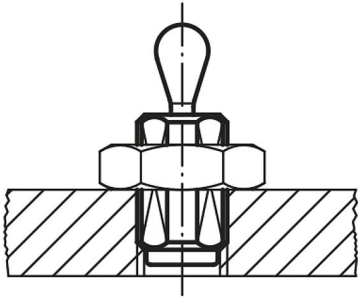
Description

Material:
Steel.

Version:
Thrust pin steel, hardened and electro zinc-plated.
Sleeve blue electro zinc-plated.

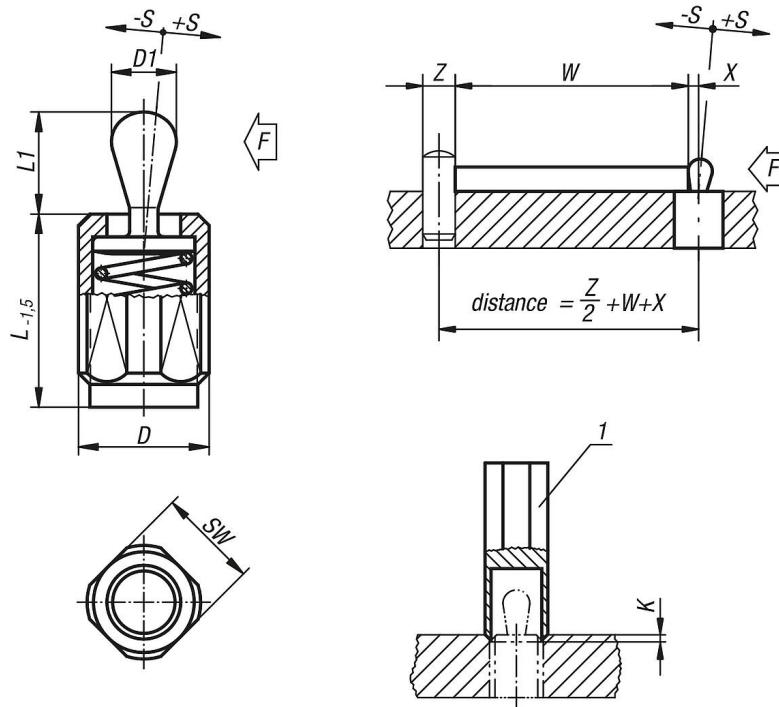
Note:
Lateral spring plungers with threaded sleeve can be individually adjusted to suit the part being held. The threaded sleeve is also suitable for screwing into thin sheet metal as it can be fastened with one or two nuts. W and Z are customer specified.

Drawing reference:
1) assembly tool



Lateral spring plungers with threaded sleeve

Drawings



Overview of items

Lateral spring plungers without seal

Order No.	D	D1	K	L	L1	±S	SW	X	F ca.N	Order No. assembly tool
B0041.1020X12	M12	5	2x60°	11,5	6,7	0,8	10	1,6	20	B0045.06
B0041.1020X20	M12	5	2x60°	19	6,7	0,8	10	1,6	20	B0045.06
B0041.1020X27	M12	5	2x60°	26,5	6,7	0,8	10	1,6	20	B0045.06
B0041.1050X12	M12	5	2x60°	11,5	6,7	0,8	10	1,6	50	B0045.06
B0041.1050X20	M12	5	2x60°	19	6,7	0,8	10	1,6	50	B0045.06
B0041.1050X27	M12	5	2x60°	26,5	6,7	0,8	10	1,6	50	B0045.06
B0041.1100X12	M12	5	2x60°	11,5	6,7	0,8	10	1,6	100	B0045.06
B0041.1100X20	M12	5	2x60°	19	6,7	0,8	10	1,6	100	B0045.06
B0041.1100X27	M12	5	2x60°	26,5	6,7	0,8	10	1,6	100	B0045.06
B0041.1040X12	M12	6	2x60°	11,5	10,7	1	10	1,8	40	B0045.06
B0041.1040X20	M12	6	2x60°	19	10,7	1	10	1,8	40	B0045.06
B0041.1040X27	M12	6	2x60°	26,5	10,7	1	10	1,8	40	B0045.06
B0041.1075X12	M12	6	2x60°	11,5	10,7	1	10	1,8	75	B0045.06
B0041.1075X20	M12	6	2x60°	19	10,7	1	10	1,8	75	B0045.06
B0041.1075X27	M12	6	2x60°	26,5	10,7	1	10	1,8	75	B0045.06
B0041.1150X12	M12	6	2x60°	11,5	10,7	1	10	1,8	100	B0045.06
B0041.1150X20	M12	6	2x60°	19	10,7	1	10	1,8	100	B0045.06
B0041.1150X27	M12	6	2x60°	26,5	10,7	1	10	1,8	100	B0045.06
B0041.1100X16	M18X1,5	10	2,5x60°	18	16,7	1,6	16	3,2	100	B0045.10
B0041.1100X29	M18X1,5	10	2,5x60°	31,5	16,7	1,6	16	3,2	100	B0045.10
B0041.1100X43	M18X1,5	10	2,5x60°	45	16,7	1,6	16	3,2	100	B0045.10
B0041.1200X16	M18X1,5	10	2,5x60°	18	16,7	1,6	16	3,2	150	B0045.10
B0041.1200X29	M18X1,5	10	2,5x60°	31,5	16,7	1,6	16	3,2	150	B0045.10
B0041.1200X43	M18X1,5	10	2,5x60°	45	16,7	1,6	16	3,2	150	B0045.10
B0041.1300X16	M18X1,5	10	2,5x60°	18	16,7	1,6	16	3,2	200	B0045.10
B0041.1300X29	M18X1,5	10	2,5x60°	31,5	16,7	1,6	16	3,2	200	B0045.10
B0041.1300X43	M18X1,5	10	2,5x60°	45	16,7	1,6	16	3,2	200	B0045.10

Lateral spring plungers with threaded sleeve

Overview of items

Lateral spring plungers with seal

Order No.	D	D1	K	L	L1	±S	SW	X	F ca.N	Order No. assembly tool
B0041.3020X12	M12	5	2x60°	11,5	6	0,8	10	1,6	20	B0045.06
B0041.3020X20	M12	5	2x60°	19	6	0,8	10	1,6	20	B0045.06
B0041.3020X27	M12	5	2x60°	26,5	6	0,8	10	1,6	20	B0045.06
B0041.3050X12	M12	5	2x60°	11,5	6	0,8	10	1,6	50	B0045.06
B0041.3050X20	M12	5	2x60°	19	6	0,8	10	1,6	50	B0045.06
B0041.3050X27	M12	5	2x60°	26,5	6	0,8	10	1,6	50	B0045.06
B0041.3100X12	M12	5	2x60°	11,5	6	0,8	10	1,6	100	B0045.06
B0041.3100X20	M12	5	2x60°	19	6	0,8	10	1,6	100	B0045.06
B0041.3100X27	M12	5	2x60°	26,5	6	0,8	10	1,6	100	B0045.06
B0041.3040X12	M12	6	2x60°	11,5	10	1	10	1,8	40	B0045.06
B0041.3040X20	M12	6	2x60°	19	10	1	10	1,8	40	B0045.06
B0041.3040X27	M12	6	2x60°	26,5	10	1	10	1,8	40	B0045.06
B0041.3075X12	M12	6	2x60°	11,5	10	1	10	1,8	75	B0045.06
B0041.3075X20	M12	6	2x60°	19	10	1	10	1,8	75	B0045.06
B0041.3075X27	M12	6	2x60°	26,5	10	1	10	1,8	75	B0045.06
B0041.3150X12	M12	6	2x60°	11,5	10	1	10	1,8	100	B0045.06
B0041.3150X20	M12	6	2x60°	19	10	1	10	1,8	100	B0045.06
B0041.3150X27	M12	6	2x60°	26,5	10	1	10	1,8	100	B0045.06
B0041.3100X16	M18X1,5	10	2,5x60°	18	16	1,6	16	3,2	100	B0045.10
B0041.3100X29	M18X1,5	10	2,5x60°	31,5	16	1,6	16	3,2	100	B0045.10
B0041.3100X43	M18X1,5	10	2,5x60°	45	16	1,6	16	3,2	100	B0045.10
B0041.3200X16	M18X1,5	10	2,5x60°	18	16	1,6	16	3,2	150	B0045.10
B0041.3200X29	M18X1,5	10	2,5x60°	31,5	16	1,6	16	3,2	150	B0045.10
B0041.3200X43	M18X1,5	10	2,5x60°	45	16	1,6	16	3,2	150	B0045.10
B0041.3300X16	M18X1,5	10	2,5x60°	18	16	1,6	16	3,2	200	B0045.10
B0041.3300X29	M18X1,5	10	2,5x60°	31,5	16	1,6	16	3,2	200	B0045.10
B0041.3300X43	M18X1,5	10	2,5x60°	45	16	1,6	16	3,2	200	B0045.10