

Wing grips tapped through

Item description/product images



Description

Material:

Grip thermoplastic.

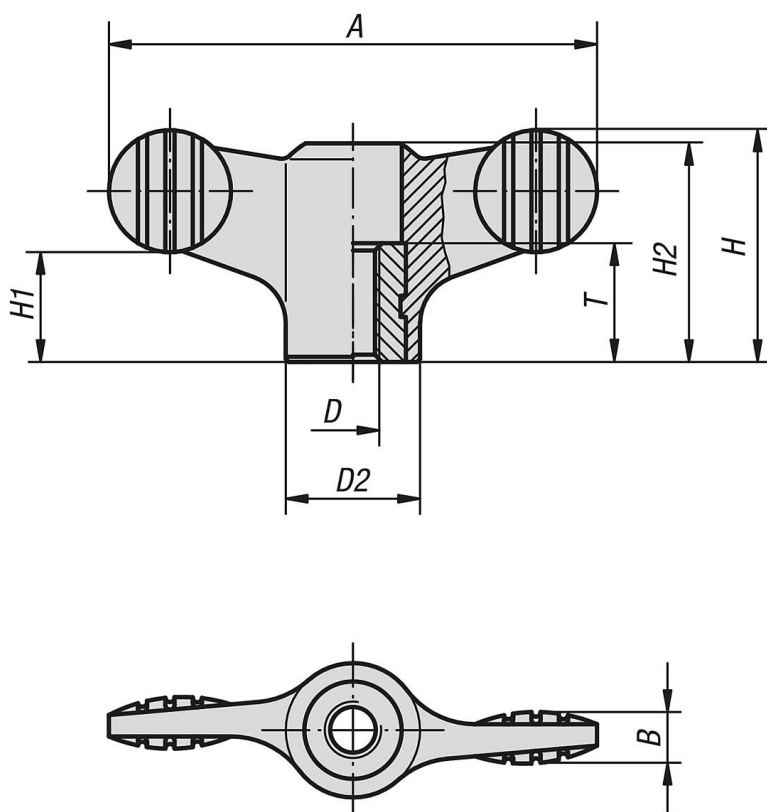
Bush steel 5.8 or stainless steel 1.4305.

Version:

Grip black grey.

Bush trivalent blue passivated steel or bright stainless steel.

Drawings



Overview of items

Wing grips with tapped through bush

Order No.	Component material	A	B	D	D2	H	H1	H2	T
B0302.1904	steel	38	4,5	M4	12	18	8,5	16,1	10
B0302.1905	steel	38	4,5	M5	12	18	8,5	16,1	10
B0302.1906	steel	38	4,5	M6	12	18	8,5	16,1	10
B0302.1105	steel	50	5	M5	14	24	11,5	22	10
B0302.1106	steel	50	5	M6	14	24	11,5	22	10
B0302.1208	steel	75	7	M8	21	35,6	17	33,3	14
B0302.1210	steel	75	7	M10	21	35,6	17	33,3	14
B0302.10904	stainless steel	38	4,5	M4	12	18	8,5	16,1	10
B0302.10905	stainless steel	38	4,5	M5	12	18	8,5	16,1	10
B0302.10906	stainless steel	38	4,5	M6	12	18	8,5	16,1	10
B0302.10105	stainless steel	50	5	M5	14	24	11,5	22	10

Wing grips tapped through

Overview of items

Order No.	Component material	A	B	D	D2	H	H1	H2	T
B0302.10106	stainless steel	50	5	M6	14	24	11,5	22	10
B0302.10208	stainless steel	75	7	M8	21	35,6	17	33,3	14
B0302.10210	stainless steel	75	7	M10	21	35,6	17	33,3	14