

## Wing grips internal thread, stainless steel

### Item description/product images



### Description

**Material:**

Stainless steel 1.4308.

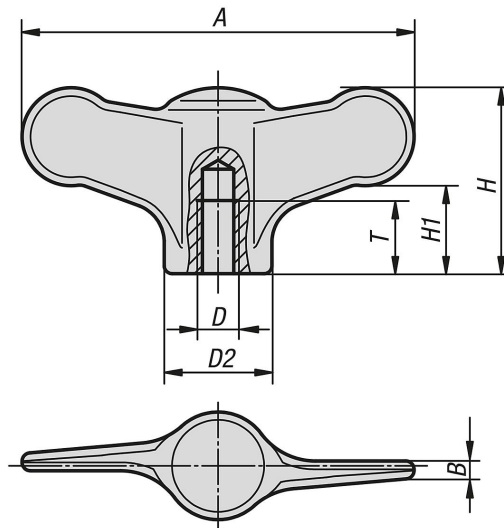
**Version:**

Polished and blasted.

**On request:**

With external threads.

### Drawings



### Overview of items

#### Wing grips with internal thread, stainless steel

Order No.	Main colour	A	B	D	D2	H	H1	T
B0303.904	polished	38	1,7	M4	10,5	18	8,5	9
B0303.905	polished	38	1,7	M5	10,5	18	8,5	9
B0303.906	polished	38	1,7	M6	10,5	18	8,5	9
B0303.105	polished	50	2,3	M5	14	24	11,5	12
B0303.106	polished	50	2,3	M6	14	24	11,5	12
B0303.208	polished	75	3,4	M8	21	35	16,5	15
B0303.210	polished	75	3,4	M10	21	35	16,5	15
B0303.9041	blasted	38	1,7	M4	10,5	18	8,5	9
B0303.9051	blasted	38	1,7	M5	10,5	18	8,5	9
B0303.9061	blasted	38	1,7	M6	10,5	18	8,5	9
B0303.1051	blasted	50	2,3	M5	14	24	11,5	12
B0303.1061	blasted	50	2,3	M6	14	24	11,5	12
B0303.2081	blasted	75	3,4	M8	21	35	16,5	15
B0303.2101	blasted	75	3,4	M10	21	35	16,5	15

## Wing grips internal thread, stainless steel

Overview of items

---