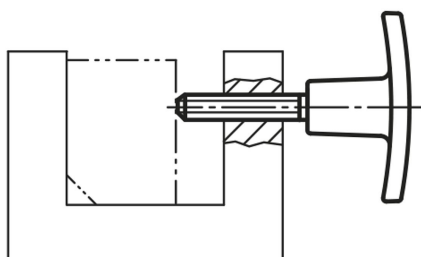


## T-grips

### Item description/product images



### Description

#### Material:

Fibreglass reinforced thermoplastic.  
Tapped bush brass.  
Screw steel.

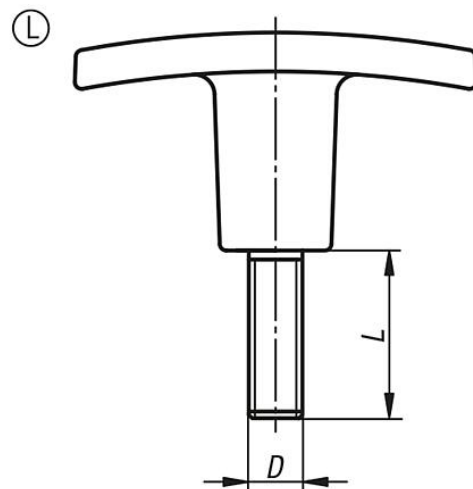
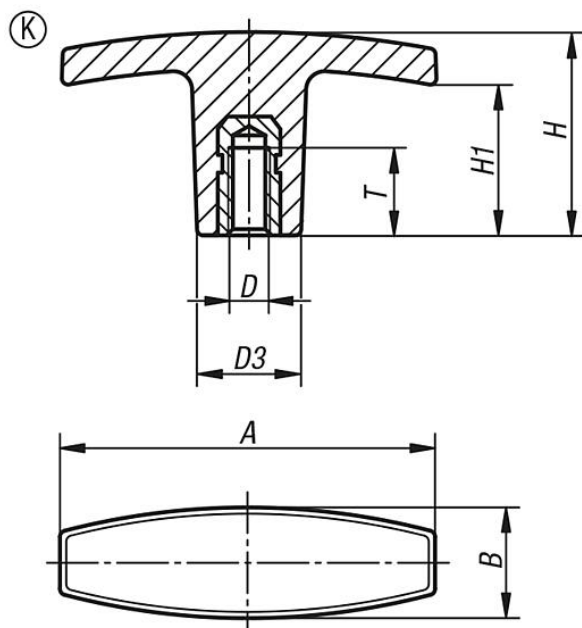
#### Version:

Grip, black.  
Screw electro zinc-plated.

#### On request:

Grip colour red, yellow, green, blue, white or grey (min. quantity 1000).

### Drawings



### Overview of items

#### T-grips

Order No.	Form	A	B	D	D3	H	H1	L	T
B0304.14005	K	40	13	M5	13	30,5	20	-	10
B0304.15005	K	50	15	M5	14	24	16	-	10
B0304.16006	K	60	17	M6	16	31,5	23	-	12
B0304.17108	K	71	19,5	M8	20	36	19	-	20
B0304.17110	K	71	19,5	M10	20	36	19	-	20
B0304.18010	K	80	26	M10	26	39,5	26	-	25

## T-grips

### Overview of items

Order No.	Form	A	B	D	D3	H	H1	L	T
B0304.18012	K	80	26	M12	26	39,5	26	-	25
B0304.24005X15	L	40	13	M5	13	30,5	20	15	-
B0304.25005X15	L	50	15	M5	14	24	16	15	-
B0304.25005X20	L	50	15	M5	14	24	16	20	-
B0304.26006X20	L	60	17	M6	16	31,5	23	20	-
B0304.26006X25	L	60	17	M6	16	31,5	23	25	-
B0304.27108X20	L	71	19,5	M8	20	36	19	20	-
B0304.27108X30	L	71	19,5	M8	20	36	19	30	-
B0304.27110X20	L	71	19,5	M10	20	36	19	20	-
B0304.27110X30	L	71	19,5	M10	20	36	19	30	-
B0304.28010X30	L	80	26	M10	26	39,5	26	30	-
B0304.28012X40	L	80	26	M12	26	39,5	26	40	-