

T-grips

Item description/product images



Description

Material:

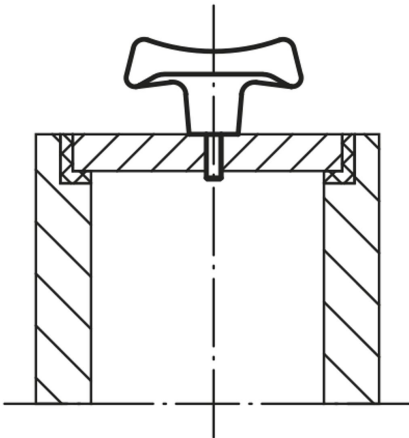
Thermoset PF 31, black.
Steel bush and stud, electro zinc-plated.

Version:

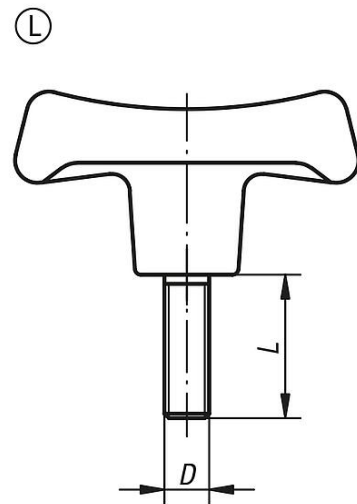
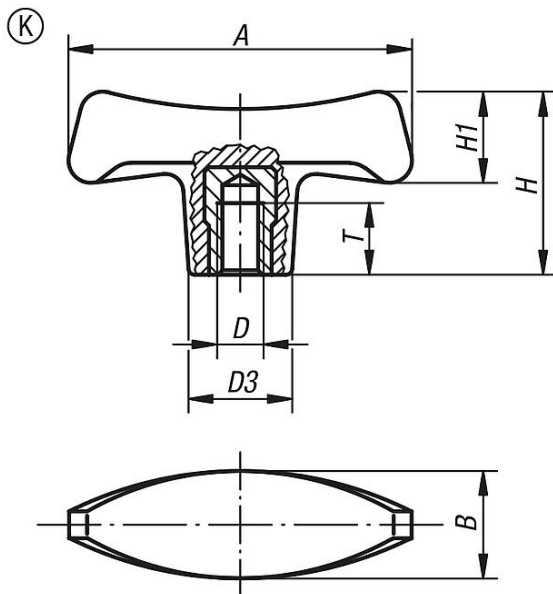
High-gloss polished.

On request:

Other screw sizes, screw lengths and colours.



Drawings



Overview of items

T-grips, with internal thread

Order No.	Form	A	B	D	D3	H	H1	L	T
B0305.17006	K	70	22	M6	19,6	38,8	20,2	-	12
B0305.17008	K	70	22	M8	19,6	38,8	20,2	-	14
B0305.17010	K	70	22	M10	19,6	38,8	20,2	-	14
B0305.18008	K	80	25	M8	22,3	44	23	-	14

T-grips

Overview of items

Order No.	Form	A	B	D	D3	H	H1	L	T
B0305.18010	K	80	25	M10	22,3	44	23	-	22
B0305.19010	K	90	28	M10	25	49,6	26	-	22
B0305.19012	K	90	28	M12	25	49,6	26	-	21
B0305.27006X18	L	70	22	M6	19,6	38,8	20,2	18	-
B0305.27008X24	L	70	22	M8	19,6	38,8	20,2	24	-
B0305.28010X20	L	80	25	M10	22,3	44	23	20	-
B0305.28010X30	L	80	25	M10	22,3	44	23	30	-
B0305.29010X30	L	90	28	M10	25	49,6	26	30	-
B0305.29012X24	L	90	28	M12	25	49,6	26	24	-