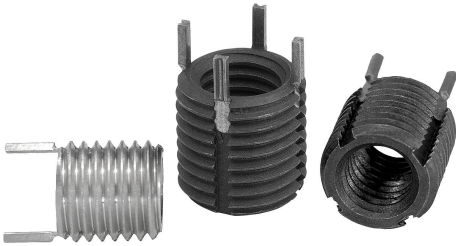


Threaded inserts

Item description/product images



Description

Material:

Threaded insert in steel or stainless steel.

Version:

Passivated.

Note:

Threaded inserts allow threaded holes which have been damaged, torn out or jammed to be used again or to be repaired, enabling expensive products to be saved from the scrap heap.

Threaded inserts are suitable for use in various materials, including light metals and castings.

Inserts with internal threads larger than M6 are supplied with four locking pins instead of two.

Permissible deviations:

The medium tolerance class applies to the threads listed, i.e. 6H for nut threads and 6g for bolt threads.

Other dimensions ± 0.25 mm.

Technical information see operating instructions for threaded inserts.

Advantages:

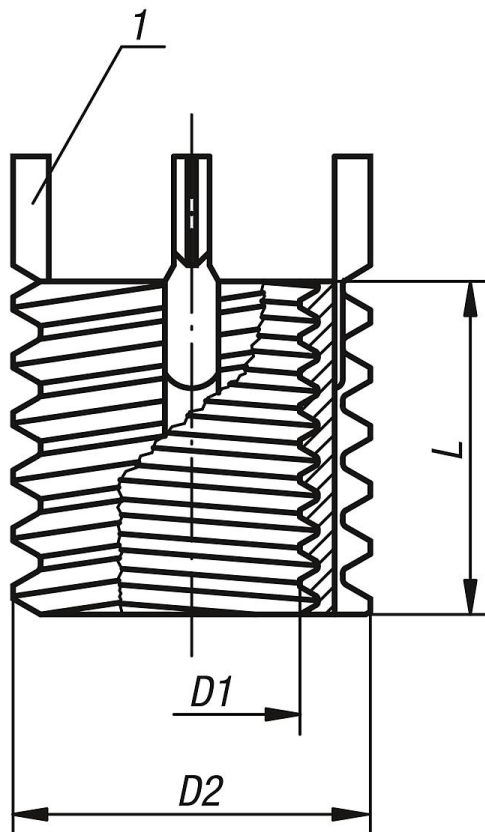
- Quick and easy installation.
- The insert is fixed with pins in order to prevent torsion due to twisting or vibrations.
- No other special tools are required besides the assembly tool.

Drawing reference:

- 1) locking pin

Threaded inserts

Drawings



Overview of items

Threaded inserts and assembly tools

Order No.	Main material	D1 internal thread	D2 external thread	L length	Core drill Ø	Counter-sink Ø +0.25	Tap size	Min. thread depth	Removal drill Ø	Removal drilling depth	Order No. assembly tools
B0132.05	steel	M5	M8	8	6,9	8,3	M8	9,5	5,5	4	B0133.805
B0132.06	steel	M6	M10x1,25	10	8,8	10,3	M10x1,25	11,5	7,5	4,8	B0133.806
B0132.08	steel	M8	M12x1,25	12	10,8	12,3	M12x1,25	13,5	9,5	4,8	B0133.808
B0132.08X1	steel	M8x1	M12x1,25	12	10,8	12,3	M12x1,25	13,5	9,5	4,8	B0133.808
B0132.10	steel	M10	M14x1,5	14	12,8	14,3	M14x1,5	15,5	11,5	4,8	B0133.810
B0132.10X125	steel	M10x1,25	M14x1,5	14	12,8	14,3	M14x1,5	15,5	11,5	4,8	B0133.810
B0132.12	steel	M12	M16x1,5	16	14,8	16,3	M16x1,5	17,5	13,5	4,8	B0133.812
B0132.12X125	steel	M12x1,25	M16x1,5	16	14,8	16,3	M16x1,5	17,5	13,5	4,8	B0133.812
B0132.105	stainless steel	M5	M8	8	6,9	8,3	M8	9,5	5,5	4	B0133.805
B0132.106	stainless steel	M6	M10x1,25	10	8,8	10,3	M10x1,25	11,5	7,5	4,8	B0133.806
B0132.108	stainless steel	M8	M12x1,25	12	10,8	12,3	M12x1,25	13,5	9,5	4,8	B0133.808
B0132.108X1	stainless steel	M8x1	M12x1,25	12	10,8	12,3	M12x1,25	13,5	9,5	4,8	B0133.808
B0132.110	stainless steel	M10	M14x1,5	14	12,8	14,3	M14x1,5	15,5	11,5	4,8	B0133.810
B0132.110X125	stainless steel	M10x1,25	M14x1,5	14	12,8	14,3	M14x1,5	15,5	11,5	4,8	B0133.810
B0132.112	stainless steel	M12	M16x1,5	16	14,8	16,3	M16x1,5	17,5	13,5	4,8	B0133.812
B0132.112X125	stainless steel	M12x1,25	M16x1,5	16	14,8	16,3	M16x1,5	17,5	13,5	4,8	B0133.812

Threaded inserts

Overview of items
