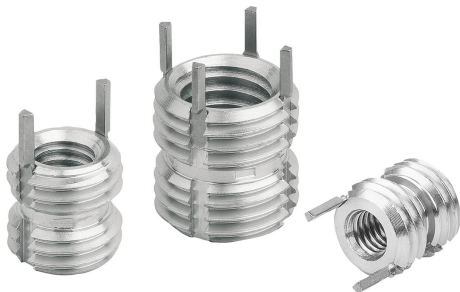


Threaded inserts with internal thread, self-locking

Item description/product images



Description

Material:

Threaded insert in stainless steel.

Version:

Passivated.

Note:

Threaded inserts allow threaded holes which have been damaged, torn out or jammed to be used again or to be repaired. This makes it possible to recover scrap and rejects of expensive products.

Threaded inserts are suitable for use in various materials, including light metals and casting.

Inserts with internal threads larger than M6 are supplied with four locking pins instead of two.

Permissible deviations:

the medium tolerance class applies to the threads listed, i.e. 6H for nut threads and 6g for bolt threads.

Other dimensions ± 0.25 mm.

Technical information see operating instructions for threaded inserts.

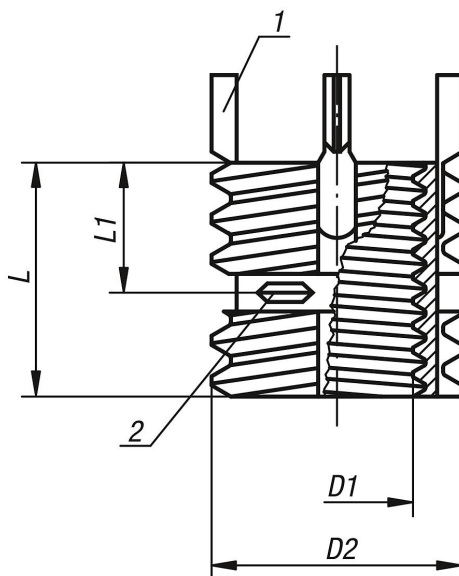
Advantages:

- Quick and easy installation.
- The insert is fixed with pins in order to prevent torsion due to twisting or vibrations.
- No other special tools are required besides the assembly tool.

Drawing reference:

- 1) locking pin
- 2) self-locking part of internal thread

Drawings



Threaded inserts with internal thread, self-locking

Overview of items

Threaded inserts with internal thread, self-locking and assembly tools

Order No.	D1 internal thread	D2 external thread	L1 length	L length	Core drill Ø	Counter- sink Ø +0.25	Tap size	Min. thread depth	Removal drill Ø	Removal drilling depth	Order No. assembly tools
B0138.105	M5	M8	4	8	6,9	8,3	M8	9,5	5,5	4	B0133.805
B0138.106	M6	M10x1,25	5	10	8,8	10,3	M10x1,25	11,5	7,5	4,8	B0133.806
B0138.108	M8	M12x1,25	6	12	10,8	12,3	M12x1,25	13,5	9,5	4,8	B0133.808
B0138.110	M10	M14x1,5	7	14	12,8	14,3	M14x1,5	15,5	11,5	4,8	B0133.810
B0138.112	M12	M16x1,5	8	16	14,8	16,3	M16x1,5	17,5	13,5	4,8	B0133.812