

## Key rings

### Item description/product images



### Description

**Material:**

Stainless steel 1.4310.

**Version:**

Bright.

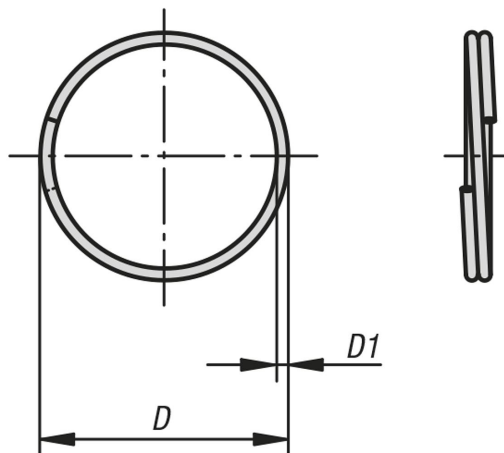
**Note:**

Suitable for retaining cable with loop B0090, B0091, B0092

Ball lock pins B0068, B0069, B0070, B0071.

Locking pins B0086.

### Drawings



### Overview of items

#### Key rings

Order No.	D	D1
B0090.15	15	1.0
B0090.19	19	1.0
B0090.23	23	1.2
B0090.28	28	1.7

## **Key rings**

**Overview of items**

---