

Safety spiral cables

Item description/product images



Description

Material:

Spiral cable PUR.
 Eye copper or stainless steel.
 Key ring steel or stainless steel.

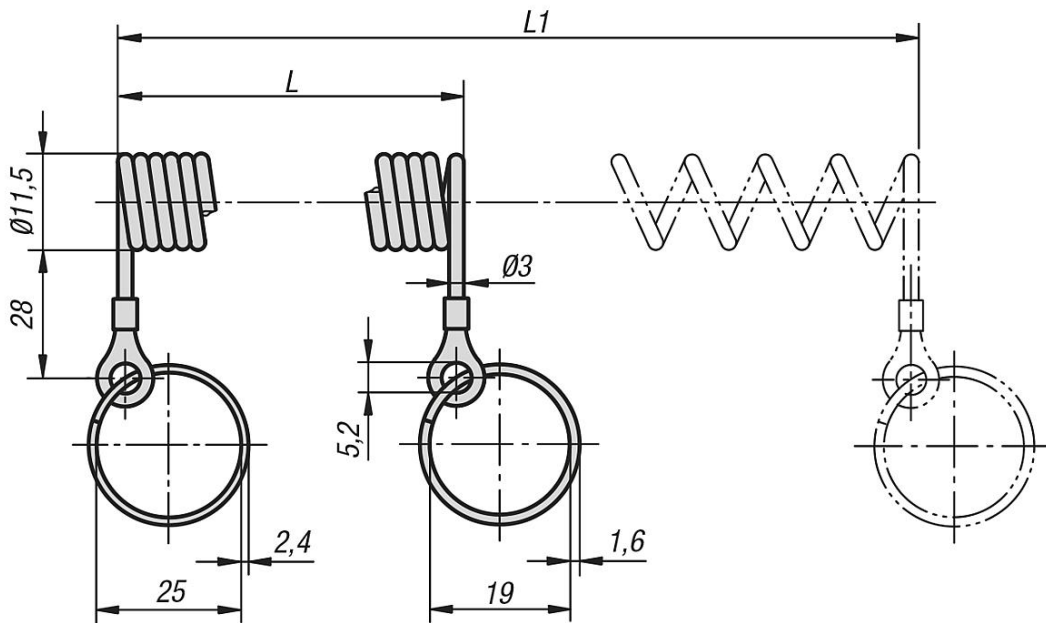
Version:

Spiral cable black.
 Eye, zinc-plated copper or bright stainless steel.
 Key ring, chromed steel or bright stainless steel.

Note:

Elastic spiral cable to secure equipment parts. Very good reset force, robust and wear-resistant.

Drawings



Overview of items

Safety spiral cable

Order No.	Key Rings	L	L1
B0091.10100	steel	100	500
B0091.10200	steel	200	1000
B0091.20100	stainless steel A2	100	500
B0091.20200	stainless steel A2	200	1000

Safety spiral cables

Overview of items
