

Retaining cables

Item description/product images



Description

Material:

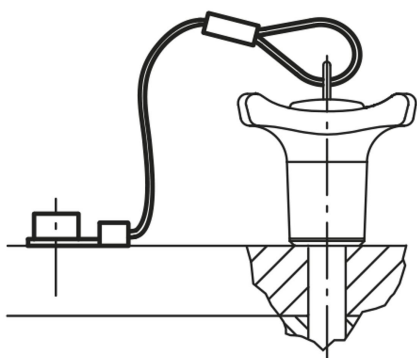
Cable stainless steel.
Crimp and end terminal aluminium.

Version:

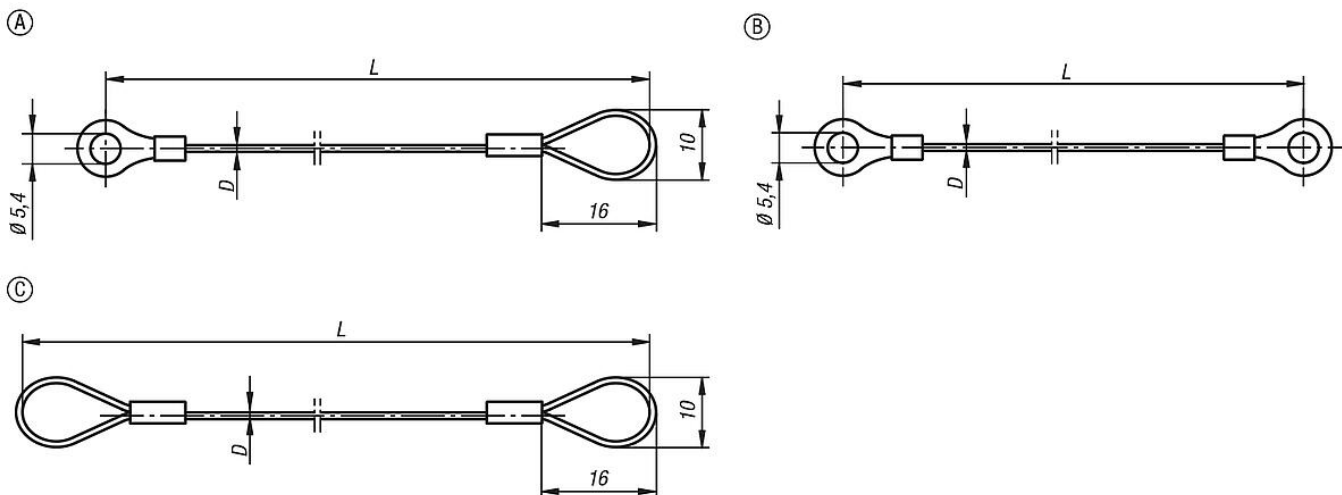
Cable plastic coated.

Note:

With the retaining cable and key ring B0090 the ball lock pins B0068, B0070, can be secured so that they cannot be lost. An M5 screw is used to secure the retaining cable.
Application temperature: +80 °C.



Drawings



Overview of items

Retaining cables

Order No.	Form	L	D
B0092.0150	A	150	1,6
B0092.0200	A	200	1,6
B0092.0300	A	300	1,6

Retaining cables

Overview of items

Order No.	Form	L	D
B0092.0500	A	500	1,6
B0092.1150	B	150	1,6
B0092.1200	B	200	1,6
B0092.1300	B	300	1,6
B0092.1500	B	500	1,6
B0092.2150	C	150	1,6
B0092.2200	C	200	1,6
B0092.2300	C	300	1,6
B0092.2500	C	500	1,6