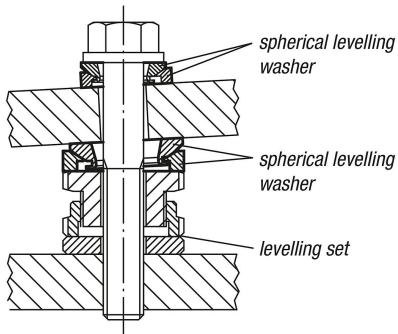


Spherical levelling washers

Item description/product images



Description

Material:

Steel 1.7225.

Stainless steel 1.4305.

Version:

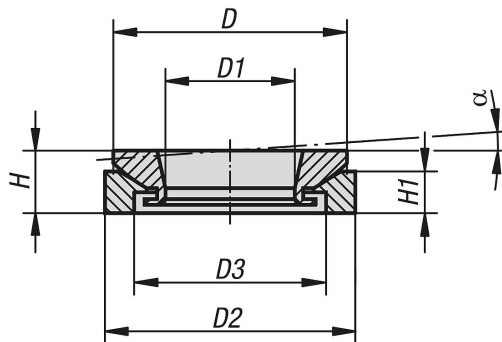
Steel trivalent blue passivated.

Stainless steel, bright.

Note:

Spherical levelling washers are for exact positioning when mounting up to 4° inclined surfaces. A second spherical levelling washer is recommended as support to correct the bolt angle if the angle of D3 is > 1°. The two washers cannot be detached from each other.

Drawings



Overview of items

Spherical levelling washers

Order No.	Main material	H	H1	D	D1	D2	D3	α
B0198.151	steel	8	5,5	23	8,5	25	15	4°
B0198.201	steel	10	6,2	30	13	32	20	4°
B0198.301	steel	12,5	9	40	20	45	30	4°
B0198.401	steel	16	13	52	29	58	38	4°
B0198.501	steel	20	14	65	36	70	48	4°
B0198.152	stainless steel	8	5,5	23	8,5	25	15	4°
B0198.202	stainless steel	10	6,2	30	13	32	20	4°
B0198.302	stainless steel	12,5	9	40	20	45	30	4°
B0198.402	stainless steel	16	13	52	29	58	38	4°
B0198.502	stainless steel	20	14	65	36	70	48	4°

Spherical levelling washers

Overview of items
