

## Levelling sets spherical washer

### Item description/product images



### Description

**Material:**

Steel 1.7225.

Stainless steel 1.4305.

**Version:**

Standard version trivalent blue passivated.

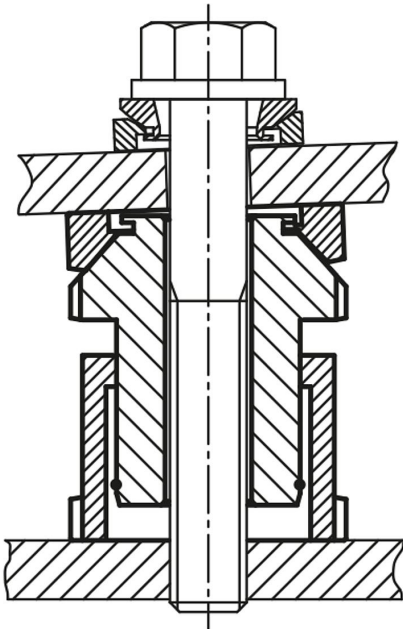
Stainless steel version bright.

**Note:**

Levelling sets with spherical washers are used for mounting, levelling and aligning motors, aggregates, drive units and assembly lines. The spherical washer permits exact alignment when mounting on sloping surfaces of up to 4°.

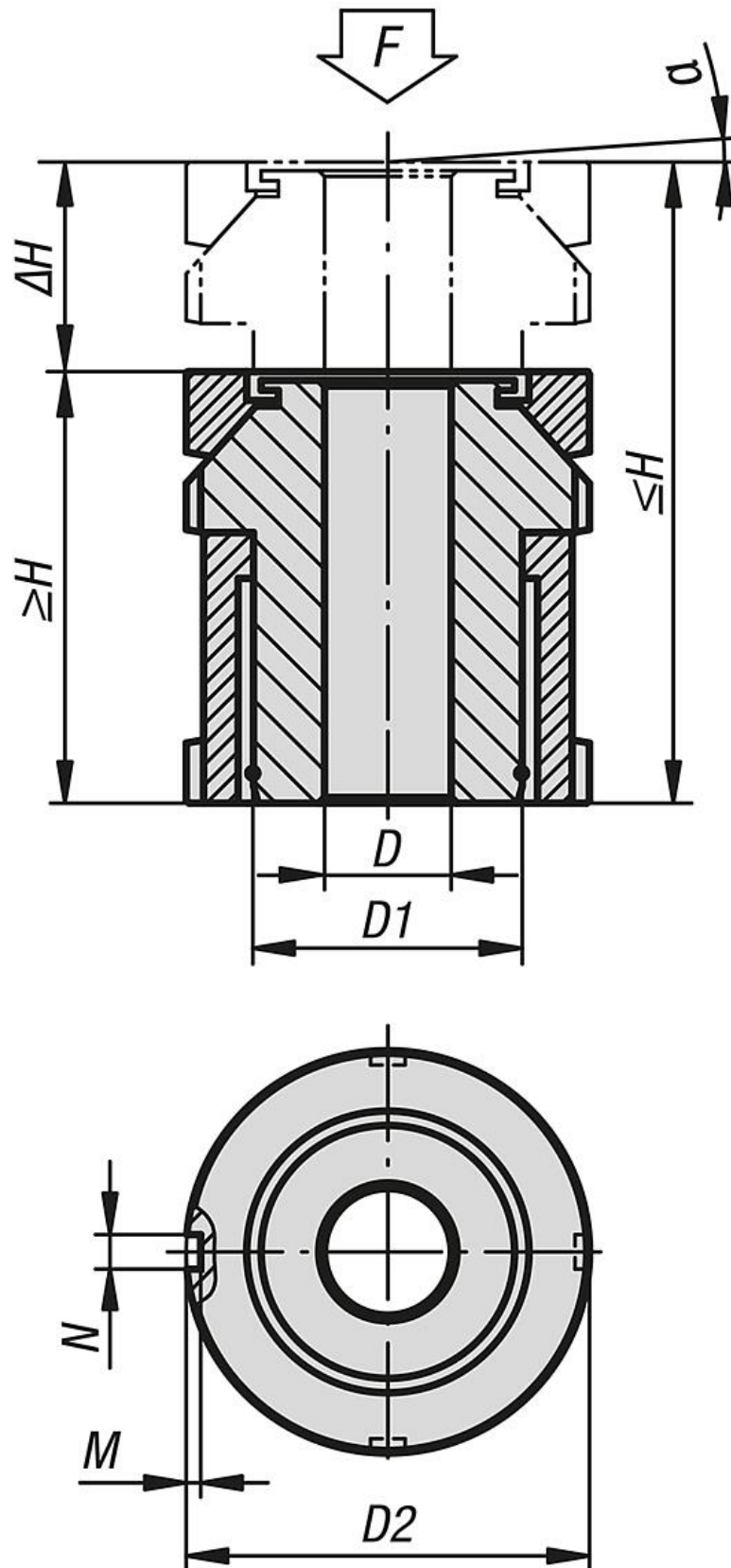
They are characterised by their wide adjustment range of 15 mm to 50 mm.

The static additional load  $F_1$  is effective after deducting the tensioning force (screw 8.8,  $\mu_m = 0.125$ ) from the total load  $F$ .



## Levelling sets spherical washer

Drawings



## Levelling sets spherical washer

### Overview of items

### Levelling sets spherical washer

Order No.	Main material	D	for screw	D1	D2	H min.	H max.	ΔH	N	M	α	F kN	F1 kN
B0205.1506	QT steel	6,6	M6	M15x1	25	35	50	15	4	2	4°	40	36
B0205.2006	QT steel	6,6	M6	M20x1	32	43	63	20	4	2	4°	65	55,7
B0205.2008	QT steel	9	M8	M20x1	32	43	63	20	4	2	4°	65	48
B0205.2010	QT steel	11	M10	M20x1	32	43	63	20	4	2	4°	65	37,9
B0205.2510	QT steel	11	M10	M30x1,5	45	54	79	25	5	2	4°	120	92,9
B0205.2512	QT steel	13,5	M12	M30x1,5	45	54	79	25	5	2	4°	120	80,4
B0205.2516	QT steel	17,5	M16	M30x1,5	45	54	79	25	5	2	4°	120	45,5
B0205.3216	QT steel	17,5	M16	M40x1,5	58	70	102	32	6	2,5	4°	210	136
B0205.3220	QT steel	22	M20	M40x1,5	58	70	102	32	6	2,5	4°	210	90
B0205.3224	QT steel	26	M24	M40x1,5	58	70	102	32	6	2,5	4°	210	37
B0205.4020	QT steel	22	M20	M50x1,5	70	83	123	40	6	2,5	4°	330	210
B0205.4024	QT steel	26	M24	M50x1,5	70	83	123	40	6	2,5	4°	330	157
B0205.4030	QT steel	33	M30	M50x1,5	70	83	123	40	6	2,5	4°	330	53
B0205.5024	QT steel	26	M24	M60x2	80	94	144	50	7	3	4°	495	322
B0205.5030	QT steel	33	M30	M60x2	80	94	144	50	7	3	4°	495	218
B0205.15061	stainless steel	6,6	M6	M15x1	25	35	50	15	4	2	4°	27,1	24,14
B0205.20061	stainless steel	6,6	M6	M20x1	32	43	63	20	4	2	4°	43,4	36,56
B0205.20081	stainless steel	9	M8	M20x1	32	43	63	20	4	2	4°	43,4	30,86
B0205.20101	stainless steel	11	M10	M20x1	32	43	63	20	4	2	4°	43,4	23,41
B0205.25101	stainless steel	11	M10	M30x1,5	45	54	79	25	5	2	4°	84	64,01
B0205.25121	stainless steel	13,5	M12	M30x1,5	45	54	79	25	5	2	4°	84	54,82
B0205.25161	stainless steel	17,5	M16	M30x1,5	45	54	79	25	5	2	4°	84	28,9
B0205.32161	stainless steel	17,5	M16	M40x1,5	58	70	102	32	6	2,5	4°	148	92,9
B0205.32201	stainless steel	22	M20	M40x1,5	58	70	102	32	6	2,5	4°	148	59,08
B0205.32241	stainless steel	26	M24	M40x1,5	58	70	102	32	6	2,5	4°	148	20,3
B0205.40201	stainless steel	22	M20	M50x1,5	70	83	123	40	6	2,5	4°	225	136,08
B0205.40241	stainless steel	26	M24	M50x1,5	70	83	123	40	6	2,5	4°	225	97,3
B0205.40301	stainless steel	33	M30	M50x1,5	70	83	123	40	6	2,5	4°	225	20,6
B0205.50241	stainless steel	26	M24	M60x2	80	94	144	50	7	3	4°	323	195,3
B0205.50301	stainless steel	33	M30	M60x2	80	94	144	50	7	3	4°	323	118,6