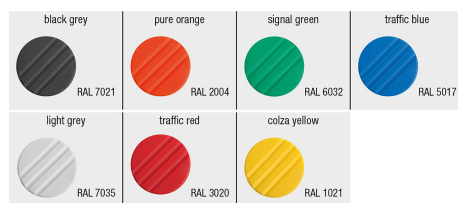


# Mushroom knobs internal thread

## Item description/product images



## Description

**Material:**

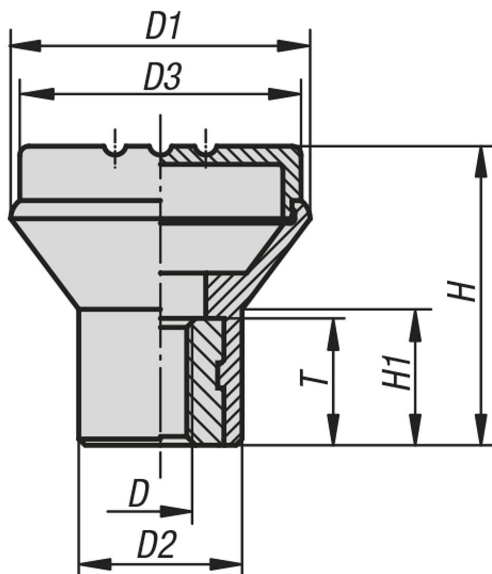
Black thermoplastic.

Bush grade 5.8 steel or 1.4305 stainless steel.

**Version:**

Steel trivalent blue passivated, stainless steel bright.

## Drawings



## Overview of items

### Mushroom knobs with internal thread

Order No.	Component material	Colour Cap	D	D1	D2	D3	H	H1	T
B0299.04	steel	black grey RAL 7021	M4	21	12	19	21	10	10
B0299.041	steel	orange RAL 2004	M4	21	12	19	21	10	10
B0299.042	steel	signal green RAL6032	M4	21	12	19	21	10	10
B0299.043	steel	blue RAL5017	M4	21	12	19	21	10	10
B0299.045	steel	light grey RAL 7035	M4	21	12	19	21	10	10
B0299.046	steel	traffic red RAL 3020	M4	21	12	19	21	10	10
B0299.047	steel	colza yellow RAL 1021	M4	21	12	19	21	10	10
B0299.05	steel	black grey RAL 7021	M5	21	12	19	21	10	10
B0299.051	steel	orange RAL 2004	M5	21	12	19	21	10	10
B0299.052	steel	signal green RAL6032	M5	21	12	19	21	10	10
B0299.053	steel	blue RAL5017	M5	21	12	19	21	10	10
B0299.055	steel	light grey RAL 7035	M5	21	12	19	21	10	10
B0299.056	steel	traffic red RAL 3020	M5	21	12	19	21	10	10

## Mushroom knobs internal thread

### Overview of items

Order No.	Component material	Colour Cap	D	D1	D2	D3	H	H1	T
B0299.057	steel	colza yellow RAL 1021	M5	21	12	19	21	10	10
B0299.06	steel	black grey RAL 7021	M6	25	14	23	25	12	10
B0299.061	steel	orange RAL 2004	M6	25	14	23	25	12	10
B0299.062	steel	signal green RAL6032	M6	25	14	23	25	12	10
B0299.063	steel	blue RAL5017	M6	25	14	23	25	12	10
B0299.065	steel	light grey RAL 7035	M6	25	14	23	25	12	10
B0299.066	steel	traffic red RAL 3020	M6	25	14	23	25	12	10
B0299.067	steel	colza yellow RAL 1021	M6	25	14	23	25	12	10
B0299.08	steel	black grey RAL 7021	M8	33	18	31	33	15	14
B0299.081	steel	orange RAL 2004	M8	33	18	31	33	15	14
B0299.082	steel	signal green RAL6032	M8	33	18	31	33	15	14
B0299.083	steel	blue RAL5017	M8	33	18	31	33	15	14
B0299.085	steel	light grey RAL 7035	M8	33	18	31	33	15	14
B0299.086	steel	traffic red RAL 3020	M8	33	18	31	33	15	14
B0299.087	steel	colza yellow RAL 1021	M8	33	18	31	33	15	14
B0299.004	stainless steel	black grey RAL 7021	M4	21	12	19	21	10	10
B0299.0041	stainless steel	orange RAL 2004	M4	21	12	19	21	10	10
B0299.0042	stainless steel	signal green RAL6032	M4	21	12	19	21	10	10
B0299.0043	stainless steel	blue RAL5017	M4	21	12	19	21	10	10
B0299.0045	stainless steel	light grey RAL 7035	M4	21	12	19	21	10	10
B0299.0046	stainless steel	traffic red RAL 3020	M4	21	12	19	21	10	10
B0299.0047	stainless steel	colza yellow RAL 1021	M4	21	12	19	21	10	10
B0299.005	stainless steel	black grey RAL 7021	M5	21	12	19	21	10	10
B0299.0051	stainless steel	orange RAL 2004	M5	21	12	19	21	10	10
B0299.0052	stainless steel	signal green RAL6032	M5	21	12	19	21	10	10
B0299.0053	stainless steel	blue RAL5017	M5	21	12	19	21	10	10
B0299.0055	stainless steel	light grey RAL 7035	M5	21	12	19	21	10	10
B0299.0056	stainless steel	traffic red RAL 3020	M5	21	12	19	21	10	10
B0299.0057	stainless steel	colza yellow RAL 1021	M5	21	12	19	21	10	10
B0299.006	stainless steel	black grey RAL 7021	M6	25	14	23	25	12	10
B0299.0061	stainless steel	orange RAL 2004	M6	25	14	23	25	12	10
B0299.0062	stainless steel	signal green RAL6032	M6	25	14	23	25	12	10
B0299.0063	stainless steel	blue RAL5017	M6	25	14	23	25	12	10
B0299.0065	stainless steel	light grey RAL 7035	M6	25	14	23	25	12	10
B0299.0066	stainless steel	traffic red RAL 3020	M6	25	14	23	25	12	10
B0299.0067	stainless steel	colza yellow RAL 1021	M6	25	14	23	25	12	10
B0299.008	stainless steel	black grey RAL 7021	M8	33	18	31	33	15	14
B0299.0081	stainless steel	orange RAL 2004	M8	33	18	31	33	15	14
B0299.0082	stainless steel	signal green RAL6032	M8	33	18	31	33	15	14
B0299.0083	stainless steel	blue RAL5017	M8	33	18	31	33	15	14
B0299.0085	stainless steel	light grey RAL 7035	M8	33	18	31	33	15	14
B0299.0086	stainless steel	traffic red RAL 3020	M8	33	18	31	33	15	14
B0299.0087	stainless steel	colza yellow RAL 1021	M8	33	18	31	33	15	14