

Mushroom knobs internal thread

Item description/product images



Description

Material:

Steel, stainless steel or aluminium.

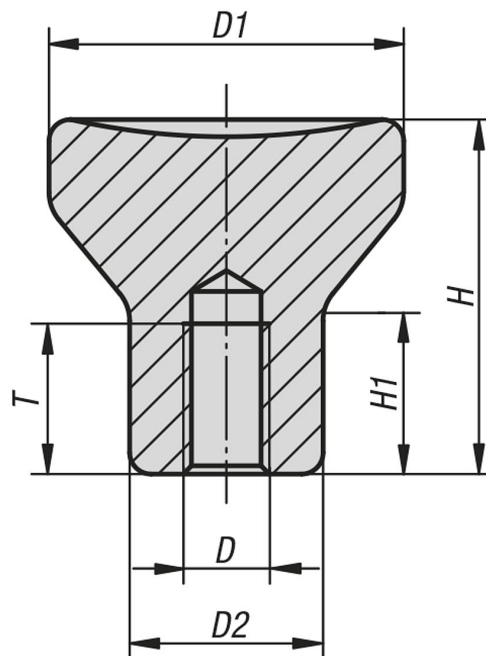
Version:

Steel trivalent blue passivated.
Stainless steel electropolished or blasted.
Aluminium natural tone anodised.

On request:

With external threads.

Drawings



Overview of items

Mushroom knobs with internal thread

Order No.	Main material	Steel code	Surface finish body	D	D1	D2	H	H1	T
B0300.0902	steel	-	blue-passivated	M2	14	8	14	6,7	4
B0300.0003	steel	-	blue-passivated	M3	18	10	18	8,6	7,5
B0300.0104	steel	-	blue-passivated	M4	21	12	21	10	10
B0300.0105	steel	-	blue-passivated	M5	21	12	21	10	12,5
B0300.0206	steel	-	blue-passivated	M6	25	14	25	12	12
B0300.0308	steel	-	blue-passivated	M8	33	18	33	16	16
B0300.0410	steel	-	blue-passivated	M10	40	24	40	18,7	20
B0300.902	stainless steel	1.4305	-	M2	14	8	14	6,7	4
B0300.003	stainless steel	1.4305	-	M3	18	10	18	8,6	7,5
B0300.104	stainless steel	1.4305	-	M4	21	12	21	10	10
B0300.105	stainless steel	1.4305	-	M5	21	12	21	10	12,5
B0300.206	stainless steel	1.4305	-	M6	25	14	25	12	12
B0300.308	stainless steel	1.4305	-	M8	33	18	33	16	16

Mushroom knobs internal thread

Overview of items

Order No.	Main material	Steel code	Surface finish body	D	D1	D2	H	H1	T
B0300.410	stainless steel	1.4305	-	M10	40	24	40	18,7	20
B0300.2902	stainless steel	1.4305	blasted	M2	14	8	14	6,7	4
B0300.2003	stainless steel	1.4305	blasted	M3	18	10	18	8,6	7,5
B0300.2104	stainless steel	1.4305	blasted	M4	21	12	21	10	10
B0300.2105	stainless steel	1.4305	blasted	M5	21	12	21	10	12,5
B0300.2206	stainless steel	1.4305	blasted	M6	25	14	25	12	12
B0300.2308	stainless steel	1.4305	blasted	M8	33	18	33	16	16
B0300.2410	stainless steel	1.4305	blasted	M10	40	24	40	18,7	20
B0300.1902	aluminium	-	anodised	M2	14	8	14	6,7	4
B0300.1003	aluminium	-	anodised	M3	18	10	18	8,6	7,5
B0300.1104	aluminium	-	anodised	M4	21	12	21	10	10
B0300.1105	aluminium	-	anodised	M5	21	12	21	10	12,5
B0300.1206	aluminium	-	anodised	M6	25	14	25	12	12
B0300.1308	aluminium	-	anodised	M8	33	18	33	16	16
B0300.1410	aluminium	-	anodised	M10	40	24	40	18,7	20