

Palm grips similar to DIN 6335

Item description/product images



Description

Material:

Black thermoset PF 31.

Bush and screw electro zinc-plated steel.

Version:

High-gloss polished.

Drawing reference:

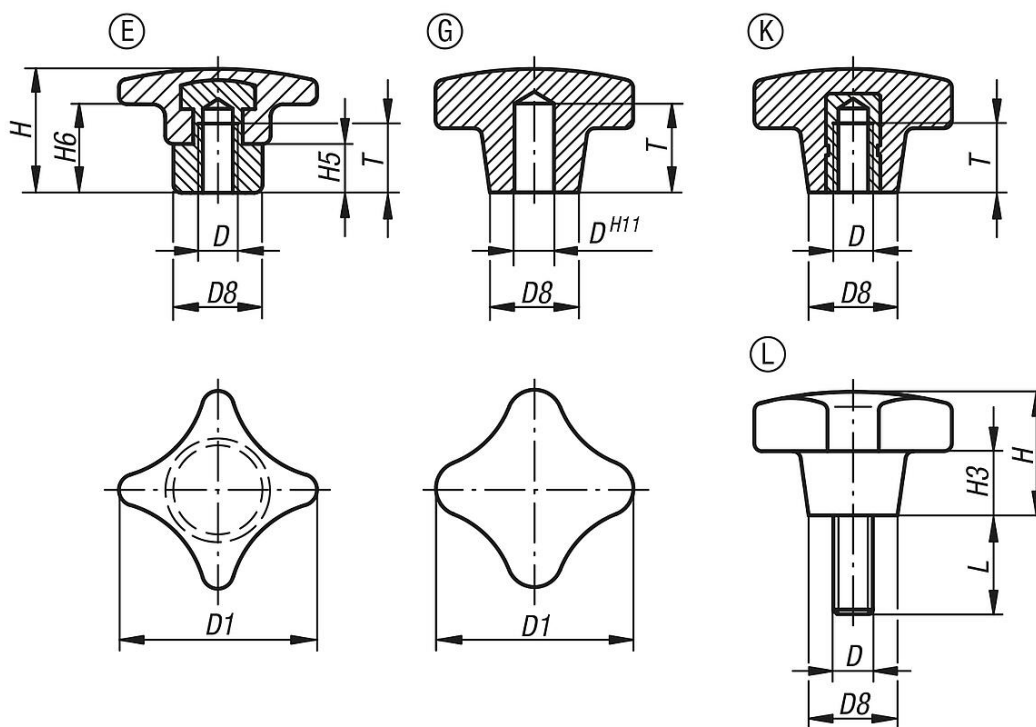
Form E: projecting steel bush

Form G: blind hole

Form K: tapped bush

Form L: external thread

Drawings



Overview of items

Palm grips similar to DIN 6335, Form E

| Order No. | Form | D | D1 | D8 | H | H3 | H5 | H6 | L | T |
|-----------|------|-----|----|----|----|----|----|----|---|----|
| B0282.306 | E | M6 | 32 | 12 | 23 | - | 9 | 12 | - | 12 |
| B0282.308 | E | M8 | 40 | 14 | 26 | - | 10 | 13 | - | 15 |
| B0282.310 | E | M10 | 50 | 18 | 32 | - | 12 | 18 | - | 18 |
| B0282.312 | E | M12 | 63 | 20 | 40 | - | 14 | 23 | - | 22 |
| B0282.316 | E | M16 | 80 | 25 | 50 | - | 17 | 28 | - | 28 |
| B0282.405 | G | 5 | 25 | 12 | 16 | 8 | - | - | - | 12 |
| B0282.406 | G | 6 | 32 | 14 | 20 | 10 | - | - | - | 15 |
| B0282.408 | G | 8 | 40 | 18 | 25 | 13 | - | - | - | 18 |
| B0282.410 | G | 10 | 50 | 22 | 32 | 20 | - | - | - | 21 |

Palm grips similar to DIN 6335

Overview of items

| Order No. | Form | D | D1 | D8 | H | H3 | H5 | H6 | L | T |
|--------------|------|-----|----|----|----|----|----|----|----|-----|
| B0282.412 | G | 12 | 63 | 26 | 40 | 25 | - | - | - | 25 |
| B0282.205 | K | M5 | 25 | 12 | 16 | 8 | - | - | - | 9,5 |
| B0282.206 | K | M6 | 32 | 14 | 20 | 10 | - | - | - | 12 |
| B0282.208 | K | M8 | 40 | 18 | 25 | 13 | - | - | - | 14 |
| B0282.210 | K | M10 | 50 | 22 | 32 | 20 | - | - | - | 18 |
| B0282.212 | K | M12 | 63 | 26 | 40 | 25 | - | - | - | 22 |
| B0282.216 | K | M16 | 80 | 35 | 50 | 30 | - | - | - | 30 |
| B0282.505X15 | L | M5 | 25 | 12 | 16 | 8 | - | - | 15 | - |
| B0282.505X20 | L | M5 | 25 | 12 | 16 | 8 | - | - | 20 | - |
| B0282.505X25 | L | M5 | 25 | 12 | 16 | 8 | - | - | 25 | - |
| B0282.505X30 | L | M5 | 25 | 12 | 16 | 8 | - | - | 30 | - |
| B0282.505X40 | L | M5 | 25 | 12 | 16 | 8 | - | - | 40 | - |
| B0282.505X50 | L | M5 | 25 | 12 | 16 | 8 | - | - | 50 | - |
| B0282.506X15 | L | M6 | 32 | 14 | 20 | 10 | - | - | 15 | - |
| B0282.506X20 | L | M6 | 32 | 14 | 20 | 10 | - | - | 20 | - |
| B0282.506X25 | L | M6 | 32 | 14 | 20 | 10 | - | - | 25 | - |
| B0282.506X30 | L | M6 | 32 | 14 | 20 | 10 | - | - | 30 | - |
| B0282.506X40 | L | M6 | 32 | 14 | 20 | 10 | - | - | 40 | - |
| B0282.506X50 | L | M6 | 32 | 14 | 20 | 10 | - | - | 50 | - |
| B0282.508X20 | L | M8 | 40 | 18 | 25 | 13 | - | - | 20 | - |
| B0282.508X25 | L | M8 | 40 | 18 | 25 | 13 | - | - | 25 | - |
| B0282.508X30 | L | M8 | 40 | 18 | 25 | 13 | - | - | 30 | - |
| B0282.508X35 | L | M8 | 40 | 18 | 25 | 13 | - | - | 35 | - |
| B0282.508X40 | L | M8 | 40 | 18 | 25 | 13 | - | - | 40 | - |
| B0282.508X45 | L | M8 | 40 | 18 | 25 | 13 | - | - | 45 | - |
| B0282.508X50 | L | M8 | 40 | 18 | 25 | 13 | - | - | 50 | - |
| B0282.510X20 | L | M10 | 50 | 22 | 32 | 20 | - | - | 20 | - |
| B0282.510X25 | L | M10 | 50 | 22 | 32 | 20 | - | - | 25 | - |
| B0282.510X30 | L | M10 | 50 | 22 | 32 | 20 | - | - | 30 | - |
| B0282.510X35 | L | M10 | 50 | 22 | 32 | 20 | - | - | 35 | - |
| B0282.510X40 | L | M10 | 50 | 22 | 32 | 20 | - | - | 40 | - |
| B0282.510X45 | L | M10 | 50 | 22 | 32 | 20 | - | - | 45 | - |
| B0282.510X50 | L | M10 | 50 | 22 | 32 | 20 | - | - | 50 | - |
| B0282.512X20 | L | M12 | 63 | 26 | 40 | 25 | - | - | 20 | - |
| B0282.512X30 | L | M12 | 63 | 26 | 40 | 25 | - | - | 30 | - |
| B0282.512X40 | L | M12 | 63 | 26 | 40 | 25 | - | - | 40 | - |
| B0282.512X50 | L | M12 | 63 | 26 | 40 | 25 | - | - | 50 | - |
| B0282.512X60 | L | M12 | 63 | 26 | 40 | 25 | - | - | 60 | - |

Palm grips similar to DIN 6335, Form G

| Order No. | Form | D | D1 | D8 | H | H3 | T |
|-----------|------|----|----|----|----|----|----|
| B0282.405 | G | 5 | 25 | 12 | 16 | 8 | 12 |
| B0282.406 | G | 6 | 32 | 14 | 20 | 10 | 15 |
| B0282.408 | G | 8 | 40 | 18 | 25 | 13 | 18 |
| B0282.410 | G | 10 | 50 | 22 | 32 | 20 | 21 |
| B0282.412 | G | 12 | 63 | 26 | 40 | 25 | 25 |