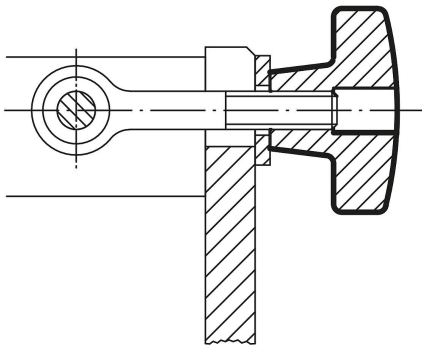
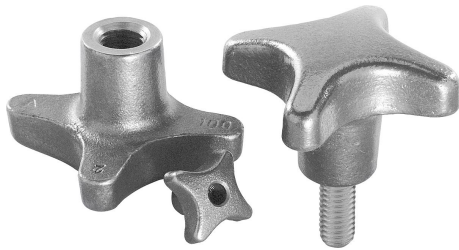


# Palm grips grey cast iron, DIN 6335

## Item description/product images



### Description

**Material:**

Grey cast iron GJL 200.  
Grub screw stainless steel 1.4305.  
Pin stainless steel 1.4310.

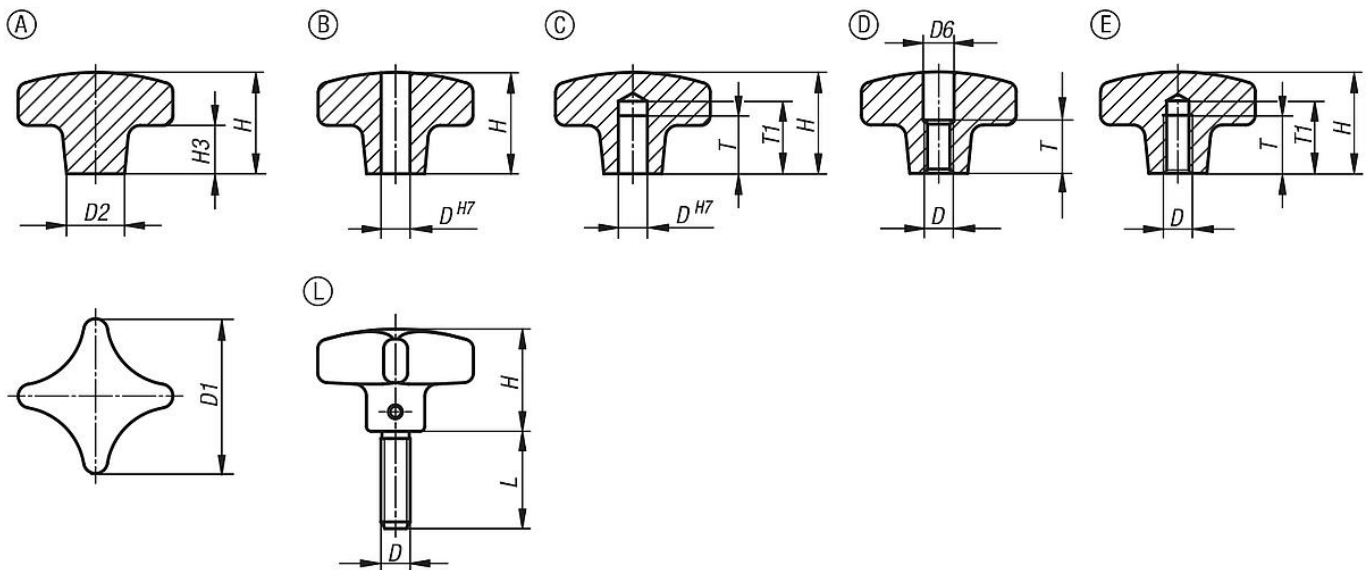
**Version:**

Vibratory ground, bright.  
Grub screw and pin bright.

**Drawing reference:**

Form A: blank  
Form B: drilled through  
Form C: blind hole  
Form D: tapped and counterbored  
Form E: tapped blind hole  
Form L: external thread

## Drawings



## Overview of items

### Palm grips grey cast iron DIN 6335

Order No.	Form	Surface finish body	D	D1	D2	D6	H	H3	L	T	T1
B0284.106	A	tumbled	-	32	12	-	21	10	-	-	-
B0284.108	A	tumbled	-	40	14	-	26	14	-	-	-
B0284.110	A	tumbled	-	50	18	-	34	20	-	-	-
B0284.112	A	tumbled	-	63	20	-	42	25	-	-	-
B0284.116	A	tumbled	-	80	25	-	52	30	-	-	-
B0284.120	A	tumbled	-	100	32	-	65	38	-	-	-
B0284.206	B	tumbled	6	32	12	-	20	10	-	-	-
B0284.208	B	tumbled	8	40	14	-	25	14	-	-	-

## Palm grips grey cast iron, DIN 6335

### Overview of items

Order No.	Form	Surface finish body	D	D1	D2	D6	H	H3	L	T	T1
B0284.210	B	tumbled	10	50	18	-	32	20	-	-	-
B0284.212	B	tumbled	12	63	20	-	40	25	-	-	-
B0284.216	B	tumbled	16	80	25	-	50	30	-	-	-
B0284.220	B	tumbled	20	100	32	-	63	38	-	-	-
B0284.306	C	tumbled	6	32	12	-	20	10	-	12	15
B0284.308	C	tumbled	8	40	14	-	25	14	-	15	18
B0284.310	C	tumbled	10	50	18	-	32	20	-	18	21
B0284.312	C	tumbled	12	63	20	-	40	25	-	22	25
B0284.316	C	tumbled	16	80	25	-	50	30	-	28	32
B0284.320	C	tumbled	20	100	32	-	63	38	-	36	40
B0284.406	D	tumbled	M6	32	12	6,4	20	10	-	10	-
B0284.408	D	tumbled	M8	40	14	8,4	25	14	-	13	-
B0284.410	D	tumbled	M10	50	18	10,5	32	20	-	16	-
B0284.412	D	tumbled	M12	63	20	13	40	25	-	20	-
B0284.416	D	tumbled	M16	80	25	17	50	30	-	20	-
B0284.420	D	tumbled	M20	100	32	21	63	38	-	25	-
B0284.506	E	tumbled	M6	32	12	-	20	10	-	12	15
B0284.508	E	tumbled	M8	40	14	-	25	14	-	15	18
B0284.510	E	tumbled	M10	50	18	-	32	20	-	18	21
B0284.512	E	tumbled	M12	63	20	-	40	25	-	22	25
B0284.516	E	tumbled	M16	80	25	-	50	30	-	28	32
B0284.520	E	tumbled	M20	100	32	-	63	38	-	36	40
B0284.606X15	L	tumbled	M6	32	12	-	20	-	15	-	-
B0284.606X20	L	tumbled	M6	32	12	-	20	-	20	-	-
B0284.606X25	L	tumbled	M6	32	12	-	20	-	25	-	-
B0284.606X30	L	tumbled	M6	32	12	-	20	-	30	-	-
B0284.606X40	L	tumbled	M6	32	12	-	20	-	40	-	-
B0284.606X50	L	tumbled	M6	32	12	-	20	-	50	-	-
B0284.608X20	L	tumbled	M8	40	14	-	25	-	20	-	-
B0284.608X25	L	tumbled	M8	40	14	-	25	-	25	-	-
B0284.608X30	L	tumbled	M8	40	14	-	25	-	30	-	-
B0284.608X40	L	tumbled	M8	40	14	-	25	-	40	-	-
B0284.608X50	L	tumbled	M8	40	14	-	25	-	50	-	-
B0284.610X20	L	tumbled	M10	50	18	-	32	-	20	-	-
B0284.610X25	L	tumbled	M10	50	18	-	32	-	25	-	-
B0284.610X30	L	tumbled	M10	50	18	-	32	-	30	-	-
B0284.610X40	L	tumbled	M10	50	18	-	32	-	40	-	-
B0284.610X50	L	tumbled	M10	50	18	-	32	-	50	-	-
B0284.612X20	L	tumbled	M12	63	20	-	40	-	20	-	-
B0284.612X30	L	tumbled	M12	63	20	-	40	-	30	-	-
B0284.612X40	L	tumbled	M12	63	20	-	40	-	40	-	-
B0284.612X50	L	tumbled	M12	63	20	-	40	-	50	-	-