

Palm grips quick-acting grey cast iron

Item description/product images



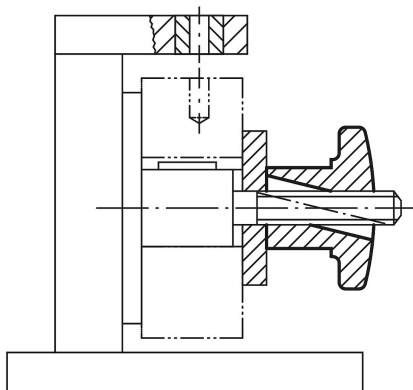
Description

Material:
Grey cast iron GJL 300

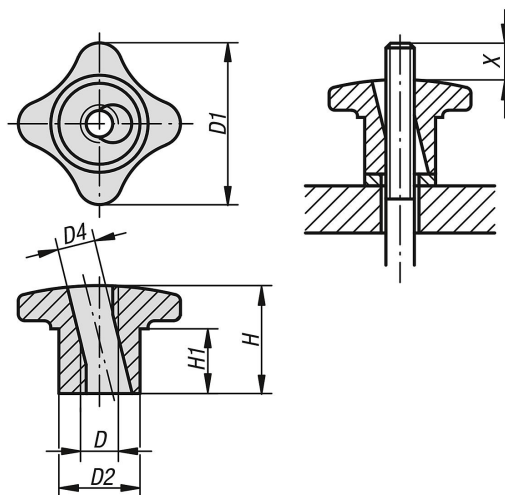
Version:
Vibratory ground.

Note:
Quick-acting palm grips can be used on all fixtures that do not require a high clamping force.
Tilt the grip to slide on, then straighten it to engage the threads.

Drawing reference:
X: The stud should be several mm longer than height "H"



Drawings



Overview of items

Palm grips quick-acting, grey cast iron

Order No.	D	D1	D2	D4	H	H1
B0285.06	M6	30	15	7	20	10
B0285.08	M8	40	18	9,4	25	14

Palm grips quick-acting grey cast iron

Overview of items

Order No.	D	D1	D2	D4	H	H1
B0285.10	M10	50	21	11,3	30	16
B0285.12	M12	60	26	13,1	35	19
B0285.14	M14	70	30	15,6	40	22
B0285.16	M16	80	34	17,6	45	25