

# Star grips with projecting steel bush

## Item description/product images



## Description

### Material:

Black thermoplastic.

Steel grade 5.8 or stainless steel 1.4305.

### Version:

Metal parts trivalent blue passivated steel or bright stainless steel.

### Note:

Star grips with projecting steel bush and blind hole or internal thread are especially suited for cross pinning.

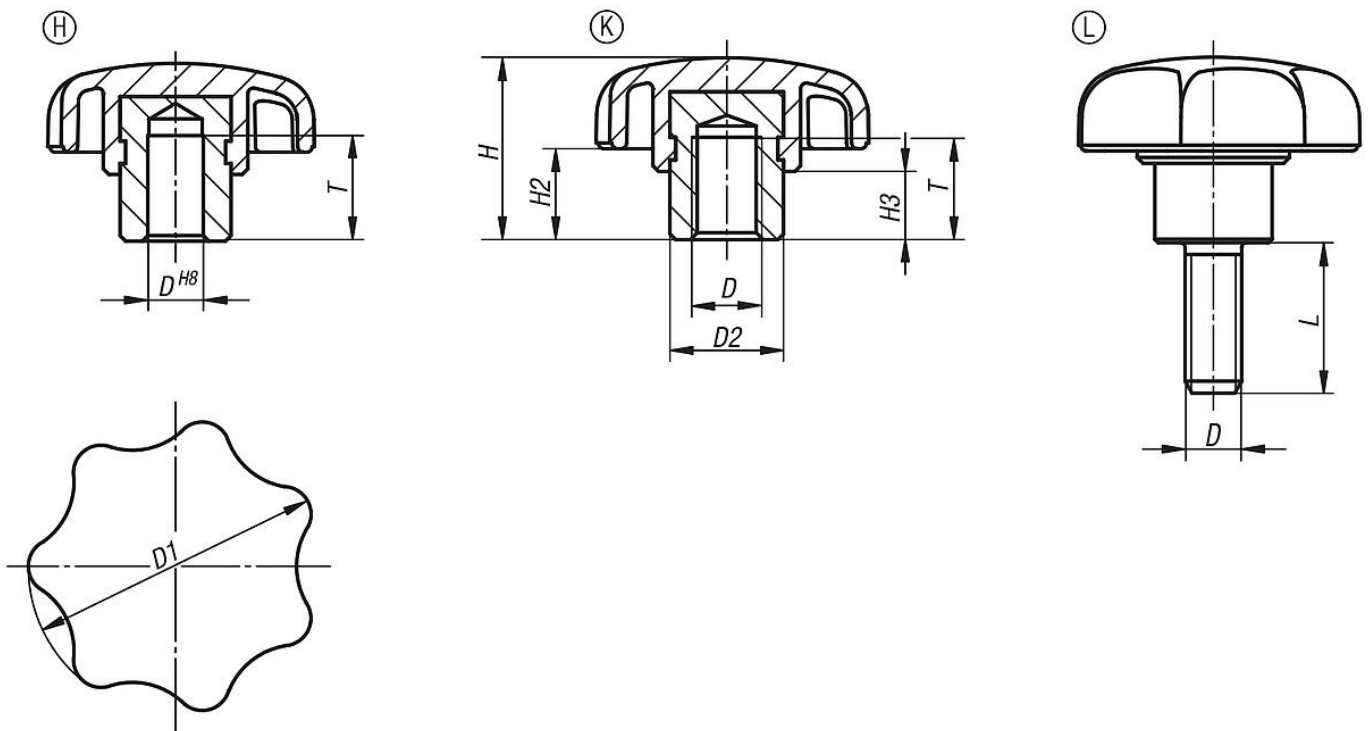
### Drawing reference:

Form H: bush with blind hole

Form K: tapped bush

Form L: external thread

## Drawings



## Overview of items

### Star grips with projecting steel bush, Form H

Order No.	Form	Component material	D	D1	D2	H	H2	H3	L	T
B0290.105	H	steel	5	25	10	17	9	7	-	9,5
B0290.106	H	steel	6	32	13,5	21	11	9,5	-	12,5
B0290.1061	H	steel	6	40	13,5	25	13	10	-	12,5
B0290.108	H	steel	8	40	13,5	25	13	10	-	12,5
B0290.1081	H	steel	8	50	19	32	17	12	-	19,5
B0290.110	H	steel	10	50	19	32	17	12	-	19,5

## Star grips with projecting steel bush

### Overview of items

Order No.	Form	Component material	D	D1	D2	H	H2	H3	L	T
B0290.1101	H	steel	10	63	19	37	18	12	-	19,5
B0290.112	H	steel	12	63	19	37	18	12	-	19,5
B0290.116	H	steel	16	63	23	40	21	15	-	24,5
B0290.205	K	steel	M5	25	10	17	9	7	-	9
B0290.206	K	steel	M6	32	13,5	21	11	9,5	-	12
B0290.2061	K	steel	M6	40	13,5	25	13	10	-	12
B0290.208	K	steel	M8	40	13,5	25	13	10	-	12
B0290.2081	K	steel	M8	50	19	32	17	12	-	17
B0290.210	K	steel	M10	50	19	32	17	12	-	17
B0290.2101	K	steel	M10	63	19	37	18	12	-	17
B0290.212	K	steel	M12	63	19	37	18	12	-	17
B0290.216	K	steel	M16	63	23	40	21	15	-	23
B0290.305	K	stainless steel	M5	25	10	17	9	7	-	9
B0290.306	K	stainless steel	M6	32	13,5	21	11	9,5	-	12
B0290.3061	K	stainless steel	M6	40	13,5	25	13	10	-	12
B0290.308	K	stainless steel	M8	40	13,5	25	13	10	-	12
B0290.3081	K	stainless steel	M8	50	19	32	17	12	-	17
B0290.310	K	stainless steel	M10	50	19	32	17	12	-	17
B0290.3101	K	stainless steel	M10	63	19	37	18	12	-	17
B0290.312	K	stainless steel	M12	63	19	37	18	12	-	17
B0290.316	K	stainless steel	M16	63	23	40	21	15	-	23
B0290.405X10	L	steel	M5	25	10	17	9	7	10	-
B0290.405X15	L	steel	M5	25	10	17	9	7	15	-
B0290.405X20	L	steel	M5	25	10	17	9	7	20	-
B0290.406X10	L	steel	M6	32	13,5	21	11	9,5	10	-
B0290.406X15	L	steel	M6	32	13,5	21	11	9,5	15	-
B0290.406X20	L	steel	M6	32	13,5	21	11	9,5	20	-
B0290.406X25	L	steel	M6	32	13,5	21	11	9,5	25	-
B0290.406X30	L	steel	M6	32	13,5	21	11	9,5	30	-
B0290.408X15	L	steel	M8	40	13,5	25	13	10	15	-
B0290.408X20	L	steel	M8	40	13,5	25	13	10	20	-
B0290.408X25	L	steel	M8	40	13,5	25	13	10	25	-
B0290.408X30	L	steel	M8	40	13,5	25	13	10	30	-
B0290.408X40	L	steel	M8	40	13,5	25	13	10	40	-
B0290.408X50	L	steel	M8	40	13,5	25	13	10	50	-
B0290.410X20	L	steel	M10	50	19	32	17	12	20	-
B0290.410X25	L	steel	M10	50	19	32	17	12	25	-
B0290.410X30	L	steel	M10	50	19	32	17	12	30	-
B0290.410X40	L	steel	M10	50	19	32	17	12	40	-
B0290.410X50	L	steel	M10	50	19	32	17	12	50	-
B0290.410X60	L	steel	M10	50	19	32	17	12	60	-
B0290.412X20	L	steel	M12	63	19	37	18	12	20	-
B0290.412X25	L	steel	M12	63	19	37	18	12	25	-
B0290.412X30	L	steel	M12	63	19	37	18	12	30	-
B0290.412X40	L	steel	M12	63	19	37	18	12	40	-
B0290.412X50	L	steel	M12	63	19	37	18	12	50	-
B0290.412X60	L	steel	M12	63	19	37	18	12	60	-
B0290.505X10	L	stainless steel	M5	25	10	17	9	7	10	-
B0290.505X15	L	stainless steel	M5	25	10	17	9	7	15	-
B0290.505X20	L	stainless steel	M5	25	10	17	9	7	20	-
B0290.506X10	L	stainless steel	M6	32	13,5	21	11	9,5	10	-
B0290.506X15	L	stainless steel	M6	32	13,5	21	11	9,5	15	-
B0290.506X20	L	stainless steel	M6	32	13,5	21	11	9,5	20	-
B0290.506X25	L	stainless steel	M6	32	13,5	21	11	9,5	25	-
B0290.506X30	L	stainless steel	M6	32	13,5	21	11	9,5	30	-
B0290.508X15	L	stainless steel	M8	40	13,5	25	13	10	15	-
B0290.508X20	L	stainless steel	M8	40	13,5	25	13	10	20	-
B0290.508X25	L	stainless steel	M8	40	13,5	25	13	10	25	-
B0290.508X30	L	stainless steel	M8	40	13,5	25	13	10	30	-
B0290.508X40	L	stainless steel	M8	40	13,5	25	13	10	40	-
B0290.508X50	L	stainless steel	M8	40	13,5	25	13	10	50	-
B0290.510X20	L	stainless steel	M10	50	19	32	17	12	20	-

## Star grips with projecting steel bush

### Overview of items

Order No.	Form	Component material	D	D1	D2	H	H2	H3	L	T
B0290.510X25	L	stainless steel	M10	50	19	32	17	12	25	-
B0290.510X30	L	stainless steel	M10	50	19	32	17	12	30	-
B0290.510X40	L	stainless steel	M10	50	19	32	17	12	40	-
B0290.510X50	L	stainless steel	M10	50	19	32	17	12	50	-
B0290.510X60	L	stainless steel	M10	50	19	32	17	12	60	-
B0290.512X20	L	stainless steel	M12	63	19	37	18	12	20	-
B0290.512X25	L	stainless steel	M12	63	19	37	18	12	25	-
B0290.512X30	L	stainless steel	M12	63	19	37	18	12	30	-
B0290.512X40	L	stainless steel	M12	63	19	37	18	12	40	-
B0290.512X50	L	stainless steel	M12	63	19	37	18	12	50	-
B0290.512X60	L	stainless steel	M12	63	19	37	18	12	60	-