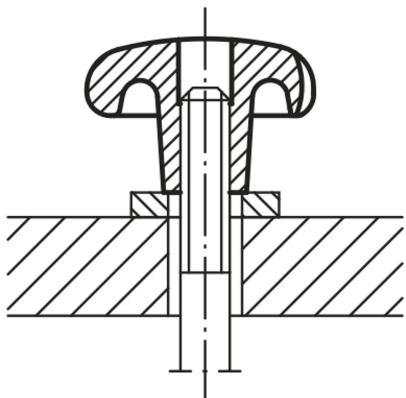
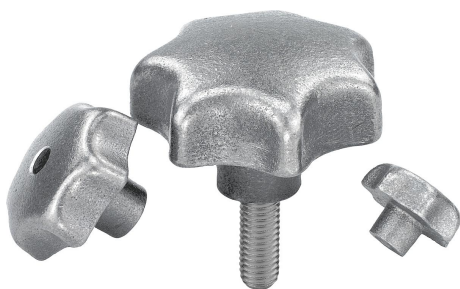


# Star grips grey cast iron, DIN 6336

## Item description/product images



### Description

**Material:**

Grey cast iron GJL 200.  
 Grub screw stainless steel 1.4305.  
 Pin stainless steel 1.4310.

**Version:**

Vibratory ground, bright.  
 Grub screw and pin bright.

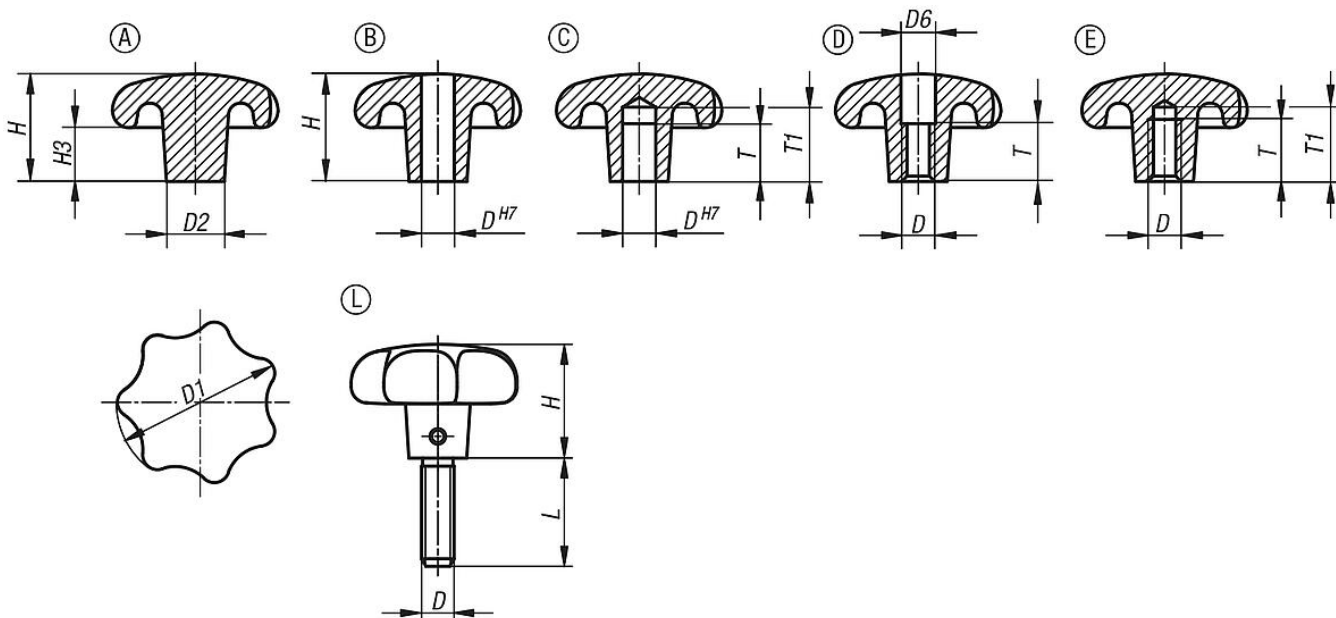
**On request:**

Grips with a plastic coating.

**Drawing reference:**

Form A: blank  
 Form B: drilled through  
 Form C: blind hole  
 Form D: tapped and counterbored  
 Form E: tapped blind hole  
 Form L: external thread

## Drawings



## Overview of items

### Star grips, grey cast iron, DIN 6336

Order No.	Form	Surface finish body	D	D1	D2	D6	H	H3	L	T	T1
B0293.106	A	tumbled	-	32	12	-	21	10	-	-	-
B0293.108	A	tumbled	-	40	14	-	26	13	-	-	-

# Star grips grey cast iron, DIN 6336

## Overview of items

Order No.	Form	Surface finish body	D	D1	D2	D6	H	H3	L	T	T1
B0293.110	A	tumbled	-	50	18	-	34	17	-	-	-
B0293.112	A	tumbled	-	63	20	-	42	21	-	-	-
B0293.116	A	tumbled	-	80	25	-	52	25	-	-	-
B0293.206	B	tumbled	6	32	12	-	20	10	-	-	-
B0293.216	B	tumbled	16	80	25	-	50	25	-	-	-
B0293.208	B	tumbled	8	40	14	-	25	13	-	-	-
B0293.210	B	tumbled	10	50	18	-	32	17	-	-	-
B0293.212	B	tumbled	12	63	20	-	40	21	-	-	-
B0293.306	C	tumbled	6	32	12	-	20	10	-	12	15
B0293.308	C	tumbled	8	40	14	-	25	13	-	15	18
B0293.310	C	tumbled	10	50	18	-	32	17	-	18	21
B0293.312	C	tumbled	12	63	20	-	40	21	-	22	25
B0293.316	C	tumbled	16	80	25	-	50	25	-	28	32
B0293.406	D	tumbled	M6	32	12	6,4	20	10	-	10	-
B0293.408	D	tumbled	M8	40	14	8,4	25	13	-	13	-
B0293.410	D	tumbled	M10	50	18	10,5	32	17	-	16	-
B0293.412	D	tumbled	M12	63	20	13	40	21	-	20	-
B0293.416	D	tumbled	M16	80	25	17	50	25	-	20	-
B0293.506	E	tumbled	M6	32	12	-	20	10	-	12	15
B0293.508	E	tumbled	M8	40	14	-	25	13	-	15	18
B0293.510	E	tumbled	M10	50	18	-	32	17	-	18	21
B0293.512	E	tumbled	M12	63	20	-	40	21	-	22	25
B0293.516	E	tumbled	M16	80	25	-	50	25	-	28	32
B0293.606X15	L	tumbled	M6	32	12	-	20	-	15	-	-
B0293.606X20	L	tumbled	M6	32	12	-	20	-	20	-	-
B0293.606X25	L	tumbled	M6	32	12	-	20	-	25	-	-
B0293.606X30	L	tumbled	M6	32	12	-	20	-	30	-	-
B0293.608X20	L	tumbled	M8	40	14	-	25	-	20	-	-
B0293.608X25	L	tumbled	M8	40	14	-	25	-	25	-	-
B0293.608X30	L	tumbled	M8	40	14	-	25	-	30	-	-
B0293.608X40	L	tumbled	M8	40	14	-	25	-	40	-	-
B0293.610X25	L	tumbled	M10	50	18	-	32	-	25	-	-
B0293.610X30	L	tumbled	M10	50	18	-	32	-	30	-	-
B0293.610X40	L	tumbled	M10	50	18	-	32	-	40	-	-
B0293.610X50	L	tumbled	M10	50	18	-	32	-	50	-	-
B0293.612X30	L	tumbled	M12	63	20	-	40	-	30	-	-
B0293.612X40	L	tumbled	M12	63	20	-	40	-	40	-	-
B0293.612X50	L	tumbled	M12	63	20	-	40	-	50	-	-
B0293.612X60	L	tumbled	M12	63	20	-	40	-	60	-	-