

# Star grips aluminium, similar to DIN 6336

## Item description/product images



### Description

**Material:**

Aluminium.  
 Grub screw stainless steel 1.4305.  
 Pin stainless steel 1.4310.

**Version:**

Vibratory ground or ground and polished.  
 Grub screw and pin bright.

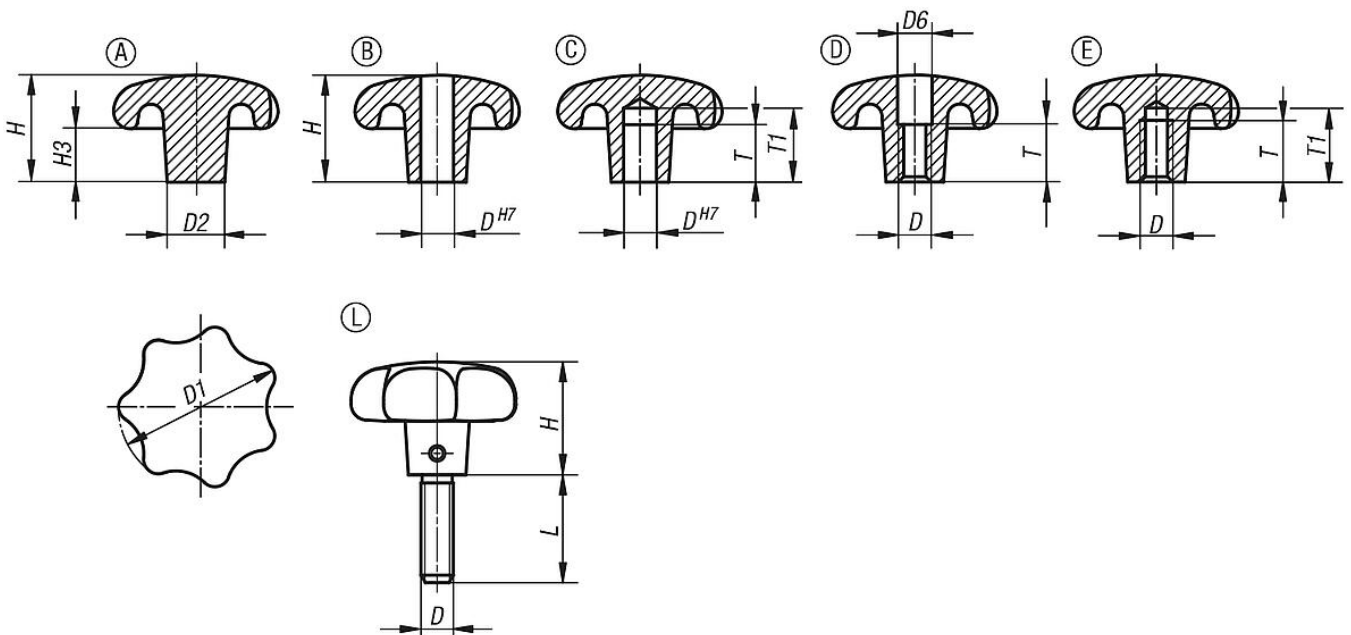
**On request:**

Blank star grips (not tumbled).

**Drawing reference:**

- Form A: blank
- Form B: drilled through
- Form C: blind hole
- Form D: tapped and counterbored
- Form E: tapped blind hole
- Form L: external thread

## Drawings



## Overview of items

### Star grips, aluminium, similar to DIN 6336

Order No.	Form	Surface finish body	D	D1	D2	D6	H	H3	L	T	T1
B0294.14008	A	tumbled	-	40	14	-	26	13	-	-	-
B0294.15010	A	tumbled	-	50	18	-	34	17	-	-	-
B0294.16312	A	tumbled	-	63	20	-	42	21	-	-	-
B0294.18016	A	tumbled	-	80	25	-	52	25	-	-	-

# Star grips aluminium, similar to DIN 6336

## Overview of items

Order No.	Form	Surface finish body	D	D1	D2	D6	H	H3	L	T	T1
B0294.240082	B	polished	8	40	14	-	25	13	-	-	-
B0294.250102	B	polished	10	50	18	-	32	17	-	-	-
B0294.263122	B	polished	12	63	20	-	40	21	-	-	-
B0294.280162	B	polished	16	80	25	-	50	25	-	-	-
B0294.24008	B	tumbled	8	40	14	-	25	13	-	-	-
B0294.25010	B	tumbled	10	50	18	-	32	17	-	-	-
B0294.26312	B	tumbled	12	63	20	-	40	21	-	-	-
B0294.28016	B	tumbled	16	80	25	-	50	25	-	-	-
B0294.340082	C	polished	8	40	14	-	25	13	-	15	18
B0294.350102	C	polished	10	50	18	-	32	17	-	18	21
B0294.363122	C	polished	12	63	20	-	40	21	-	22	25
B0294.380162	C	polished	16	80	25	-	50	25	-	28	32
B0294.34008	C	tumbled	8	40	14	-	25	13	-	15	18
B0294.35010	C	tumbled	10	50	18	-	32	17	-	18	21
B0294.36312	C	tumbled	12	63	20	-	40	21	-	22	25
B0294.38016	C	tumbled	16	80	25	-	50	25	-	28	32
B0294.440082	D	polished	M8	40	14	8,4	25	13	-	12	-
B0294.450102	D	polished	M10	50	18	10,5	32	17	-	16	-
B0294.463122	D	polished	M12	63	20	13	40	21	-	20	-
B0294.480162	D	polished	M16	80	25	17	50	25	-	30	-
B0294.44008	D	tumbled	M8	40	14	8,4	25	13	-	12	-
B0294.45010	D	tumbled	M10	50	18	10,5	32	17	-	16	-
B0294.46312	D	tumbled	M12	63	20	13	40	21	-	20	-
B0294.48016	D	tumbled	M16	80	25	17	50	25	-	30	-
B0294.540082	E	polished	M8	40	14	-	25	13	-	15	18
B0294.550102	E	polished	M10	50	18	-	32	17	-	18	21
B0294.563122	E	polished	M12	63	20	-	40	21	-	22	25
B0294.580162	E	polished	M16	80	25	-	50	25	-	28	32
B0294.54008	E	tumbled	M8	40	14	-	25	13	-	15	18
B0294.55010	E	tumbled	M10	50	18	-	32	17	-	18	21
B0294.56312	E	tumbled	M12	63	20	-	40	21	-	22	25
B0294.58016	E	tumbled	M16	80	25	-	50	25	-	28	32
B0294.64008X20	L	tumbled	M8	40	14	-	25	-	20	-	-
B0294.64008X25	L	tumbled	M8	40	14	-	25	-	25	-	-
B0294.64008X40	L	tumbled	M8	40	14	-	25	-	40	-	-
B0294.64008X30	L	tumbled	M8	40	14	-	25	-	30	-	-
B0294.65010X30	L	tumbled	M10	50	18	-	32	-	30	-	-
B0294.65010X40	L	tumbled	M10	50	18	-	32	-	40	-	-
B0294.65010X25	L	tumbled	M10	50	18	-	32	-	25	-	-
B0294.65010X50	L	tumbled	M10	50	18	-	32	-	50	-	-
B0294.66312X30	L	tumbled	M12	63	20	-	40	-	30	-	-
B0294.66312X40	L	tumbled	M12	63	20	-	40	-	40	-	-
B0294.66312X50	L	tumbled	M12	63	20	-	40	-	50	-	-
B0294.66312X60	L	tumbled	M12	63	20	-	40	-	60	-	-