

Five lobe grips

Item description/product images



Description

Material:

Thermoset PF 31, black.
Steel bush and stud, electro zinc-plated.

Version:

High-gloss polished.

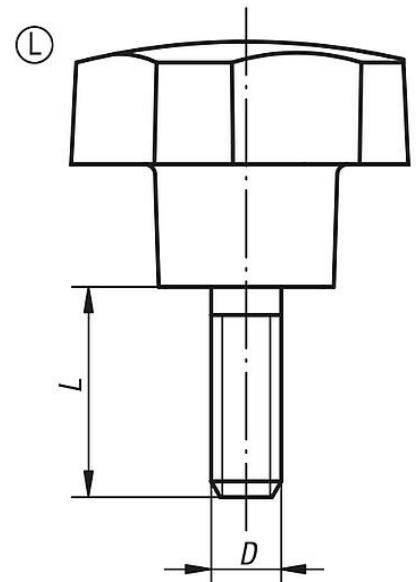
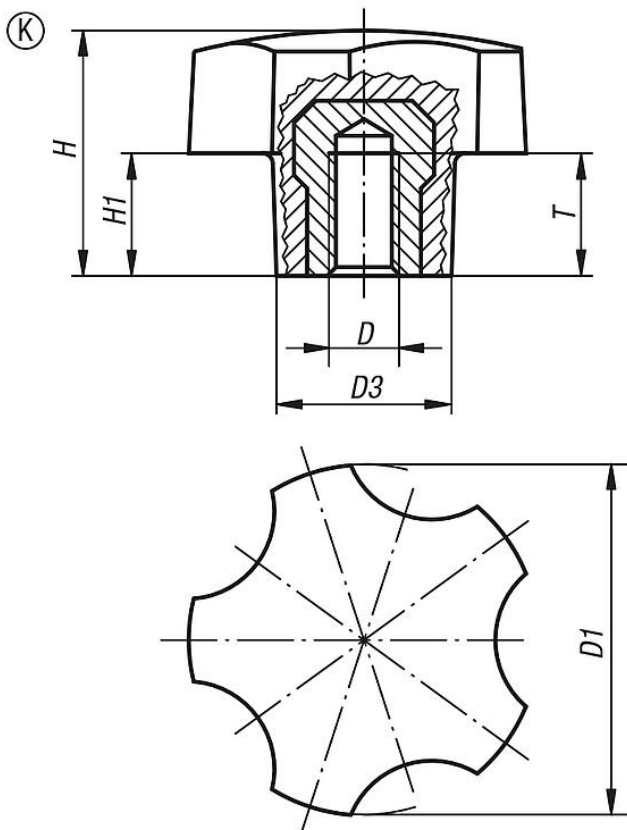
Note:

The versions B0297.3205 and B0297.3206 have a brass bush.

On request:

Other screw sizes, screw lengths and colours.

Drawings



Overview of items

Five lobe grips with internal thread

Order No.	Form	D	D1	D3	H	H1	T	L
B0297.3205	K	M5	32	16	22,4	11,2	10	-
B0297.3206	K	M6	32	16	22,4	11,2	9	-
B0297.4006	K	M6	40	20	28	14	12	-
B0297.4008	K	M8	40	20	28	14	14	-
B0297.4010	K	M10	40	20	28	14	14	-
B0297.5008	K	M8	50	25	35	17,5	14	-

Five lobe grips

Overview of items

Order No.	Form	D	D1	D3	H	H1	T	L
B0297.5010	K	M10	50	25	35	17,5	14	-
B0297.3206X12	L	M6	32	16	22,4	11,2	-	12
B0297.3206X18	L	M6	32	16	22,4	11,2	-	18
B0297.3208X16	L	M8	32	16	22,4	11,2	-	16
B0297.3208X24	L	M8	32	16	22,4	11,2	-	24
B0297.4006X18	L	M6	40	20	28	14	-	18
B0297.4008X16	L	M8	40	20	28	14	-	16
B0297.4008X20	L	M8	40	20	28	14	-	20
B0297.4008X24	L	M8	40	20	28	14	-	24
B0297.4010X30	L	M10	40	20	28	14	-	30
B0297.5008X16	L	M8	50	25	35	17,5	-	16
B0297.5008X24	L	M8	50	25	35	17,5	-	24
B0297.5010X20	L	M10	50	25	35	17,5	-	20
B0297.5010X30	L	M10	50	25	35	17,5	-	30