

Ball knobs thermoplastic, DIN 319 enhanced

Item description/product images



Description

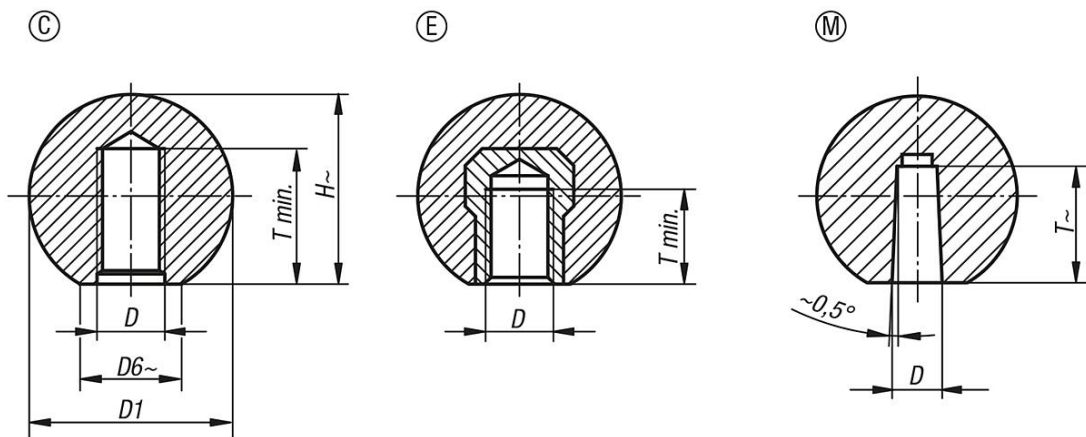
Material:
Black thermoplastic.
Bush steel.

Version:
Steel electro zinc-plated.

On request:
Other colours.

Drawing reference:
Form C: plastic thread
Form E: tapped bush
Form M: tapered hole

Drawings



Overview of items

Ball knobs thermoplastic DIN 319 enhanced

Order No.	Form	D	D1	D6	H	T
B0306.11604	C	M4	16	8	15	6
B0306.11605	C	M5	16	8	15	7,5
B0306.12005	C	M5	20	12	18	7,5
B0306.12006	C	M6	20	12	18	9
B0306.12506	C	M6	25	15	22,5	9
B0306.12508	C	M8	25	15	22,5	12
B0306.13208	C	M8	32	18	29	12
B0306.13210	C	M10	32	18	29	15
B0306.14010	C	M10	40	22	37	15
B0306.14012	C	M12	40	22	37	15
B0306.22005	E	M5	20	12	18	7,5
B0306.22006	E	M6	20	12	18	7,5
B0306.22506	E	M6	25	15	22,5	9
B0306.22508	E	M8	25	15	22,5	9
B0306.23208	E	M8	32	18	29	12
B0306.23210	E	M10	32	18	29	12
B0306.32005	M	5	20	12	18	12
B0306.32506	M	6	25	15	22,5	15

Ball knobs thermoplastic, DIN 319 enhanced**Overview of items**

Order No.	Form	D	D1	D6	H	T
B0306.32508	M	8	25	15	22,5	15
B0306.33208	M	8	32	18	29	15
B0306.33210	M	10	32	18	29	15
B0306.34010	M	10	40	22	37	20
B0306.34012	M	12	40	22	37	20