

Ball knobs smooth DIN 319 enhanced

Item description/product images



Description

Material:

Black thermoset PF 31.
Bush electro zinc-plated steel.

Version:

High-gloss polished.

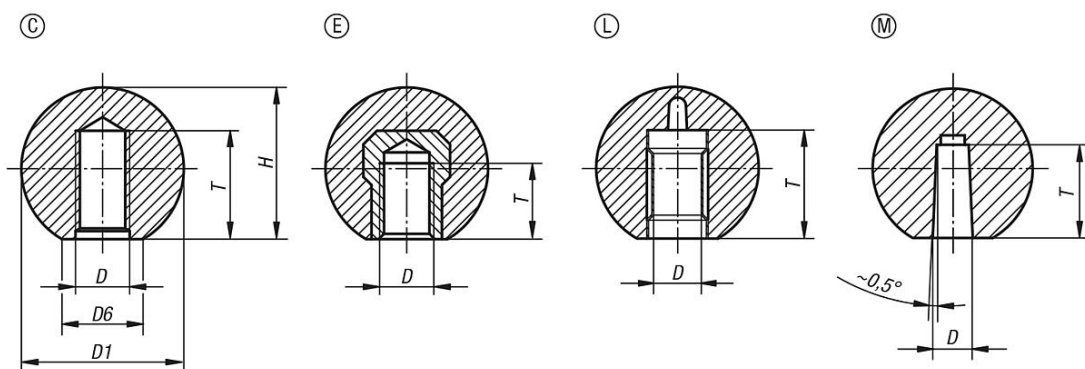
Shank tolerance:

Ball knobs with press-fit sleeve can be mounted on standard shafts with tolerance h9. The supplied press-fit sleeve assures a firm and reliable fit.

Drawing reference:

Form C: moulded thread
Form E: tapped bush
Form L: press-fit sleeve
Form M: tapered hole

Drawings



Overview of items

Ball knobs smooth DIN 319 enhanced, Form C, with molded thread

Order No.	Form	Main colour	D	D1	D6	H	T
B0307.116041	C	red	M4	16	8	15	6
B0307.116051	C	red	M5	16	8	15	7,5
B0307.120051	C	red	M5	20	12	18	7,5
B0307.120061	C	red	M6	20	12	18	9
B0307.125061	C	red	M6	25	15	23	9
B0307.125081	C	red	M8	25	15	23	12
B0307.130081	C	red	M8	30	16	28	12
B0307.132081	C	red	M8	32	18	29	12
B0307.140081	C	red	M8	40	20	37,5	12
B0307.135101	C	red	M10	36	17	33	15
B0307.140101	C	red	M10	40	20	37,5	15
B0307.150101	C	red	M10	50	22	48	15
B0307.150121	C	red	M12	50	28	48	18
B0307.11604	C	black	M4	16	8	15	6
B0307.11605	C	black	M5	16	8	15	7,5
B0307.12005	C	black	M5	20	12	18	7,5
B0307.11606	C	black	M6	16	8	15	9
B0307.12006	C	black	M6	20	12	18	9

Ball knobs smooth DIN 319 enhanced

Overview of items

Order No.	Form	Main colour	D	D1	D6	H	T
B0307.12506	C	black	M6	25	15	23	9
B0307.12508	C	black	M8	25	15	23	12
B0307.13008	C	black	M8	30	16	28	12
B0307.13208	C	black	M8	32	18	29	12
B0307.13508	C	black	M8	36	17	33	18
B0307.14008	C	black	M8	40	20	37,5	12
B0307.13210	C	black	M10	32	18	29	15
B0307.13510	C	black	M10	36	17	33	15
B0307.14010	C	black	M10	40	20	37,5	15
B0307.14510	C	black	M10	45	20	43	15
B0307.15010	C	black	M10	50	22	48	15
B0307.14012	C	black	M12	40	20	37,5	18
B0307.14512	C	black	M12	45	20	43	18
B0307.15012	C	black	M12	50	28	48	18
B0307.220051	E	red	M5	20	12	18	7,5
B0307.225061	E	red	M6	25	15	23	9
B0307.230081	E	red	M8	30	16	28	12
B0307.235101	E	red	M10	36	17	33	14
B0307.240101	E	red	M10	40	20	37,5	15
B0307.240121	E	red	M12	40	20	37,5	18
B0307.250121	E	red	M12	50	28	48	18
B0307.21604	E	black	M4	16	8	15	6
B0307.22005	E	black	M5	20	12	18	7,5
B0307.22006	E	black	M6	20	12	18	9
B0307.22506	E	black	M6	25	15	23	9
B0307.22508	E	black	M8	25	15	23	12
B0307.23008	E	black	M8	30	16	28	12
B0307.23208	E	black	M8	32	18	29	12
B0307.23508	E	black	M8	36	17	33	14
B0307.24008	E	black	M8	40	20	37,5	14
B0307.23210	E	black	M10	32	18	29	15
B0307.23510	E	black	M10	36	17	33	14
B0307.24010	E	black	M10	40	20	37,5	15
B0307.24510	E	black	M10	45	20	43	22
B0307.25010	E	black	M10	50	22	48	15
B0307.24012	E	black	M12	40	20	37,5	18
B0307.24512	E	black	M12	45	20	43	21
B0307.25012	E	black	M12	50	28	48	18
B0307.42005	L	black	5	20	12	18	13
B0307.42506	L	black	6	25	15	23	16
B0307.42508	L	black	8	25	15	23	15
B0307.43208	L	black	8	32	18	29	15
B0307.43210	L	black	10	32	18	29	20
B0307.44010	L	black	10	40	20	37,5	20
B0307.44012	L	black	12	40	20	37,5	23
B0307.45012	L	black	12	50	28	48	20
B0307.31604	M	black	4	16	8	15	9
B0307.32005	M	black	5	20	12	18	12
B0307.32506	M	black	6	25	15	23	15
B0307.32508	M	black	8	25	15	23	15
B0307.33208	M	black	8	32	18	29	15
B0307.33210	M	black	10	32	18	29	15
B0307.34010	M	black	10	40	20	37,5	20
B0307.34012	M	black	12	40	20	37,5	20
B0307.35012	M	black	12	50	28	48	22

Ball knobs smooth DIN 319 enhanced

Overview of items
