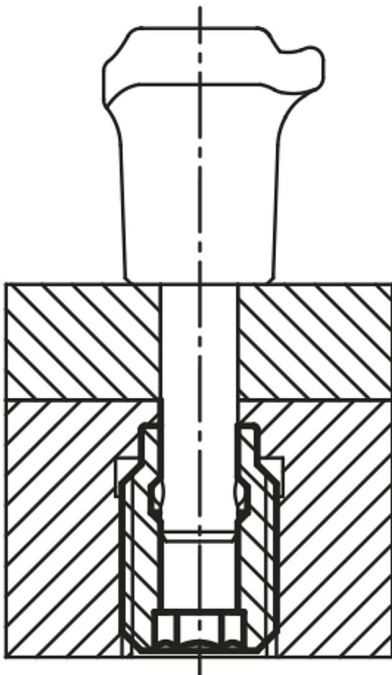


Bushing for ball lock pins

Item description/product images



Description

Material:

Stainless steel 1.4305.

Version:

Steel parts bright.

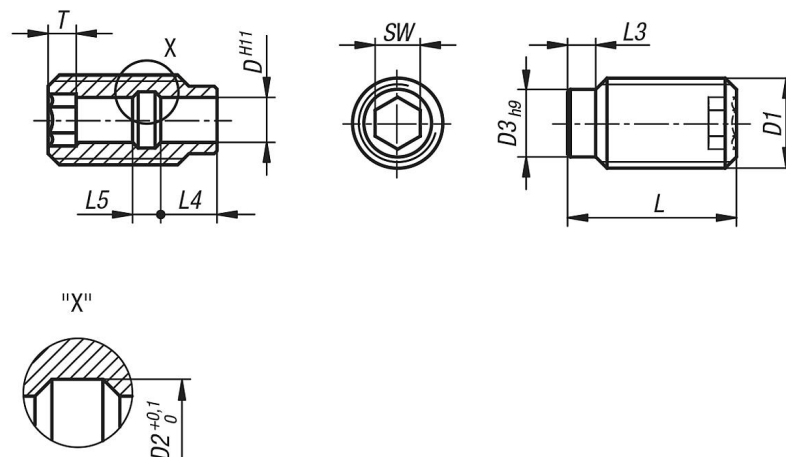
Note:

These bushes are ideal for easy and quick positioning of ball lock pins and locking pins.

Advantages:

- centred by the centring collar.
- easy and reliable installation.
- can be screwed into various materials.
- usable both sides

Drawings



Bushing for ball lock pins

Overview of items

Bushing for ball lock pins

| Order No. | D | D1 | D2 | D3 | L | L3 | L4 | L5 | SW | T |
|-------------|----|-----|-----|----|----|----|----|----|----|---|
| B0082.10512 | 5 | M12 | 6 | 9 | 25 | 4 | 7 | 3 | 5 | 4 |
| B0082.10616 | 6 | M16 | 7,5 | 12 | 30 | 5 | 10 | 5 | 6 | 5 |
| B0082.10816 | 8 | M16 | 10 | 12 | 30 | 5 | 10 | 5 | 8 | 5 |
| B0082.11024 | 10 | M24 | 13 | 18 | 35 | 6 | 8 | 7 | 10 | 6 |
| B0082.11224 | 12 | M24 | 15 | 18 | 35 | 6 | 8 | 7 | 12 | 6 |
| B0082.11630 | 16 | M30 | 20 | 24 | 40 | 8 | 11 | 9 | 16 | 7 |