

## Side clamps

### Item description/product images



### Description

#### Material:

Body steel.  
Jaw mild steel.  
Centring bush carbon steel

#### Version:

Black oxidised.  
Jaw plates case-hardened.

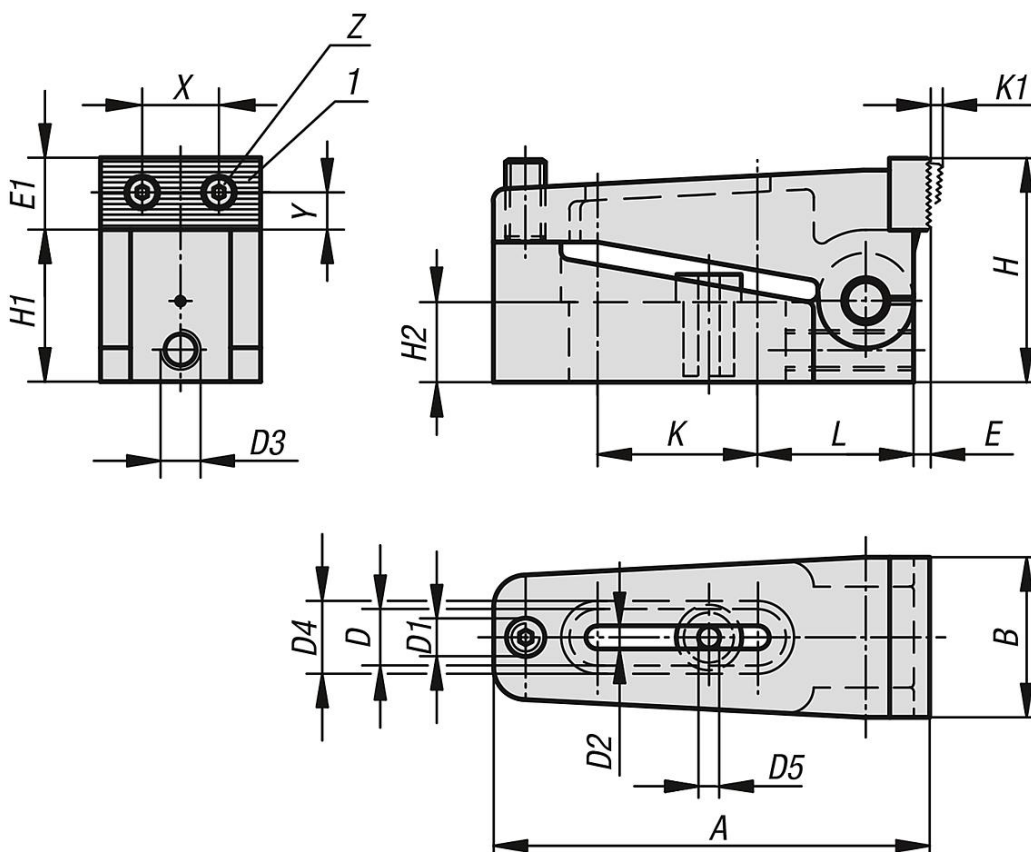
#### Note:

The jaws have a serrated side for rough faces. A positive down force is exerted during clamping. A threaded pin can be inserted into D3 to prevent backwards slippage during the clamping process.

#### Drawing reference:

1) reversible jaw

### Drawings



### Overview of items

### Side clamps

## Side clamps

### Overview of items

Order No.	A	B	D	D1	D2	D3	D4	D5	E	E1	H	H1	H2	K	K1	L	X	Y	Z	F=Retaining force N
<b>B0402.006</b>	73	25	12,2	M6	7	M6	16	6,5	2,5	11	35	24	12,4	25,5	2,5	27	12	4,5	M3	10000
<b>B0402.010</b>	110	39	18,2	M10	11	M10	24	10,5	4	18	56	38	20	40,5	4	39	20,5	8	M5	40000
<b>B0402.016</b>	170	58	26,2	M16	17	M10	35	17	7	27	85	60	30	60,5	7	61	32	13	M8	100000