

Self-aligning pads swivel angle 12°

Item description/product images



Description

Material:

Body carbon steel.
Ball, ball-bearing steel 1.3505.

Version:

Body tempered.
Ball hardened (50 - 55 HRC).

Note:

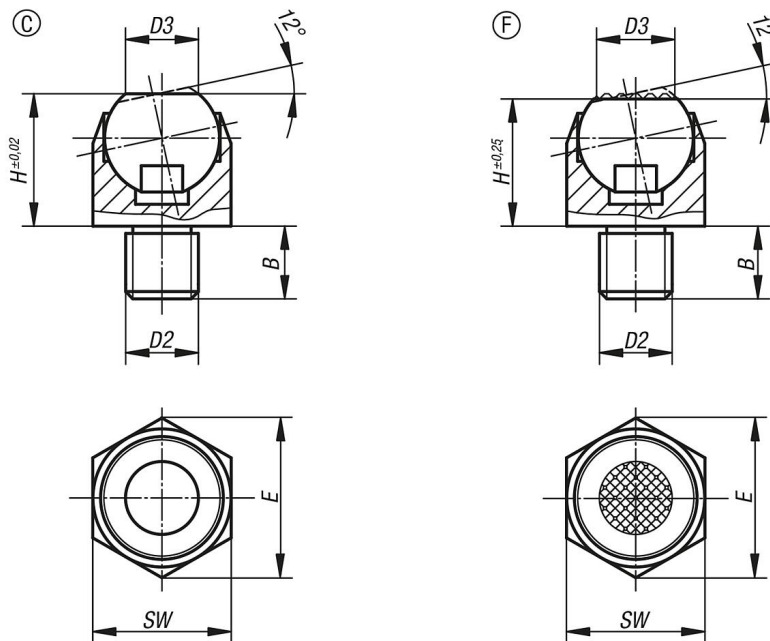
Self-aligning pads serve as stops, supports and thrust pads in fixture construction. They can also be installed in existing clamping devices, e.g. arness clamps.

Ball is secured against rotation.

Drawing reference:

Form C: external thread, smooth flattened ball
Form F: external thread, serrated flattened ball

Drawings



Overview of items

Self-aligning pads swivel angle 12°

Order No. Form C	Order No. Form F	B	D2	D3	H	E	SW	Ball-Ø	Load rating max. kN (static load only)
B0147.106	B0147.306	7	M6	6,7	13	14,5	13	10	10
B0147.108	B0147.308	8	M8	6,7	13	14,5	13	10	10
B0147.110	B0147.310	10	M10	10	18	21,9	19	16	25
B0147.112	B0147.312	12	M12	10	18	21,9	19	16	25
B0147.116	B0147.316	16	M16	20	27	33	30	24	90

Self-aligning pads swivel angle 12°

Overview of items

Order No. Form C	Order No. Form F	B	D2	D3	H	E	SW	Ball-Ø	Load rating max. kN (static load only)
B0147.120	B0147.320	20	M20	20	27	33	30	24	90