

## Self-aligning pads with locknut

### Item description/product images

---



### Description

**Material:**

Steel or stainless steel.

**Version:**

Steel version:

Housing tempered and manganese phosphated.  
Nut black oxidised.

Stainless steel version:

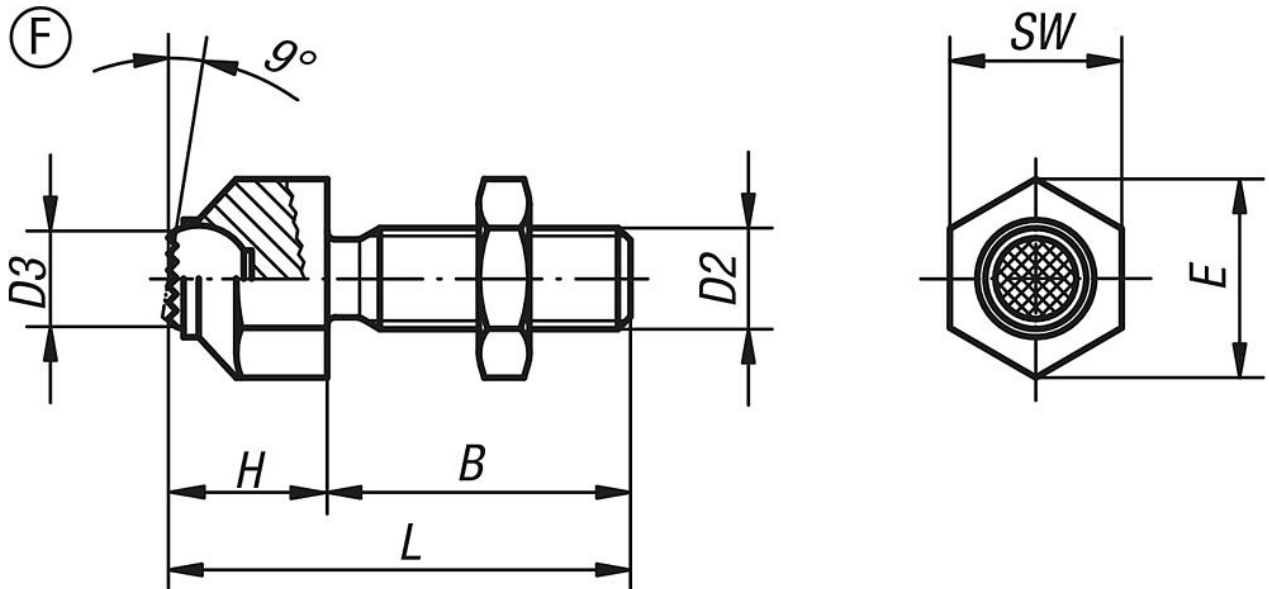
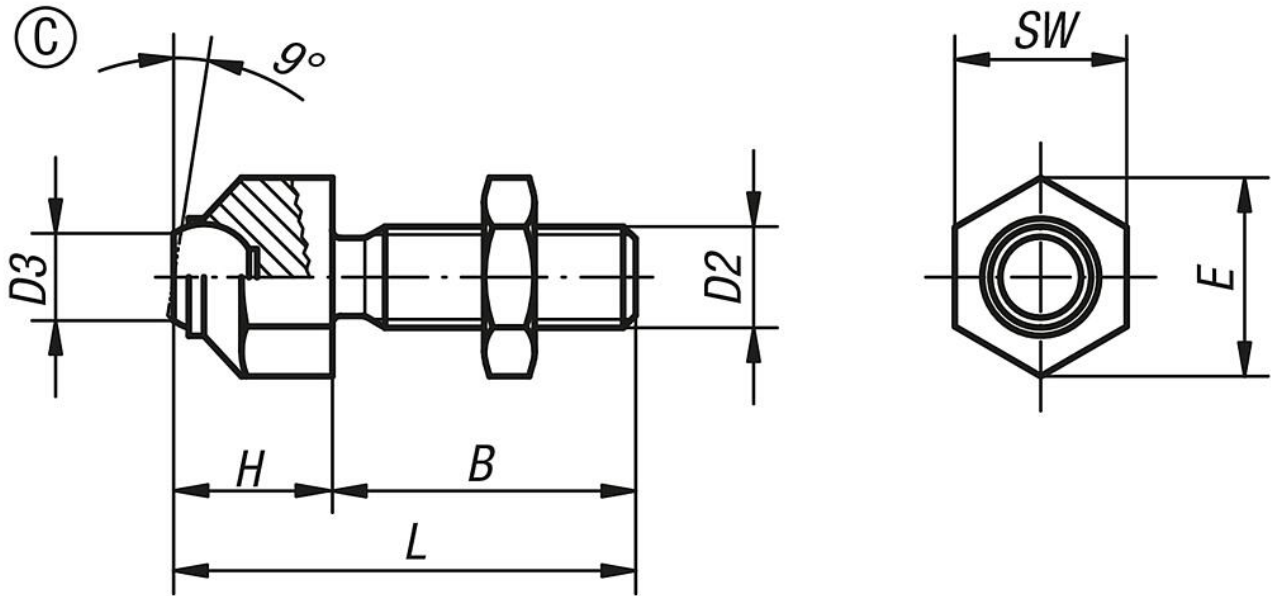
Housing tempered and electropolished.  
Nut bright.

**Note:**

Ball secured against rotation.

**Self-aligning pads with locknut**

Drawings



**Overview of items**

**Self-aligning pads adjustable**

Order No.	Form	Main material	B	D2	D3	H	L	E	SW	Ball-Ø	Load rating max. kN (static load only)
B0152.308	F	steel	25	M8	5,8	11,6	36,6	14,5	13	8,5	8

## Self-aligning pads with locknut

### Overview of items

Order No.	Form	Main material	B	D2	D3	H	L	E	SW	Ball-Ø	Load rating max. kN (static load only)
<b>B0152.310</b>	F	steel	30	M10	8,6	15,7	45,7	19	17	12	8
<b>B0152.312</b>	F	steel	35	M12	8,6	15,7	50,7	19	17	12	15
<b>B0152.316</b>	F	steel	40	M16	10,5	20,7	60,7	27	24	16	25
<b>B0152.320</b>	F	steel	50	M20	20	27,3	77,3	33	30	25	90
<b>B0152.3081</b>	F	stainless steel	25	M8	5,8	11,6	36,6	14,5	13	8,5	8
<b>B0152.3101</b>	F	stainless steel	30	M10	8,6	15,7	45,7	19	17	12	8
<b>B0152.3121</b>	F	stainless steel	35	M12	8,6	15,7	50,7	19	17	12	15
<b>B0152.3161</b>	F	stainless steel	40	M16	10,5	20,7	60,7	27	24	16	25
<b>B0152.3201</b>	F	stainless steel	50	M20	20	27,3	77,3	33	30	25	90