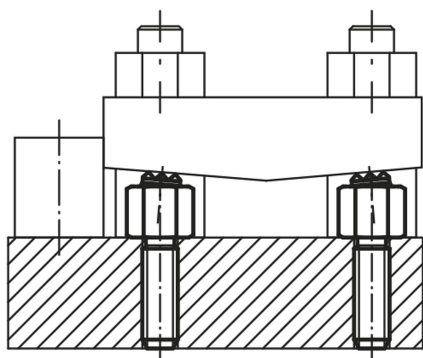


Self-aligning pads external thread, with O-ring

Item description/product images



Description

Material:

Body carbon steel.

Ball:

Form C, F, tool steel.

Form K POM.

Form O stainless steel diamond impregnated.

Form P stainless steel with polyurethane surface.

Version:

Body tempered, black oxidised.

Ball:

Form C, F hardened, black oxidised.

Form K POM ball, white.

Form O surface comparable to 100 grade abrasive grit.

Form P polyurethane, hardness 60 Shore.

Note:

Self-aligning pads are used to support and clamp unmachined and machined workpieces. They also serve as stops, supports and thrust pads in fixtures and toolmaking.

Ball secured against rotation.

Form O: The abrasive diamond surface is bonded firmly to the ball. It is ideally suited to supporting smooth or slippery applications with a minimum of clamping pressure. This allows the diamond particles to get a firm grip on a very small area with minimum damage to the surface.

The diamond surface offers excellent wear resistance.

Form P: The polyurethane surface is vulcanised firmly to the ball. It is abrasion-resistant and does not discolour.

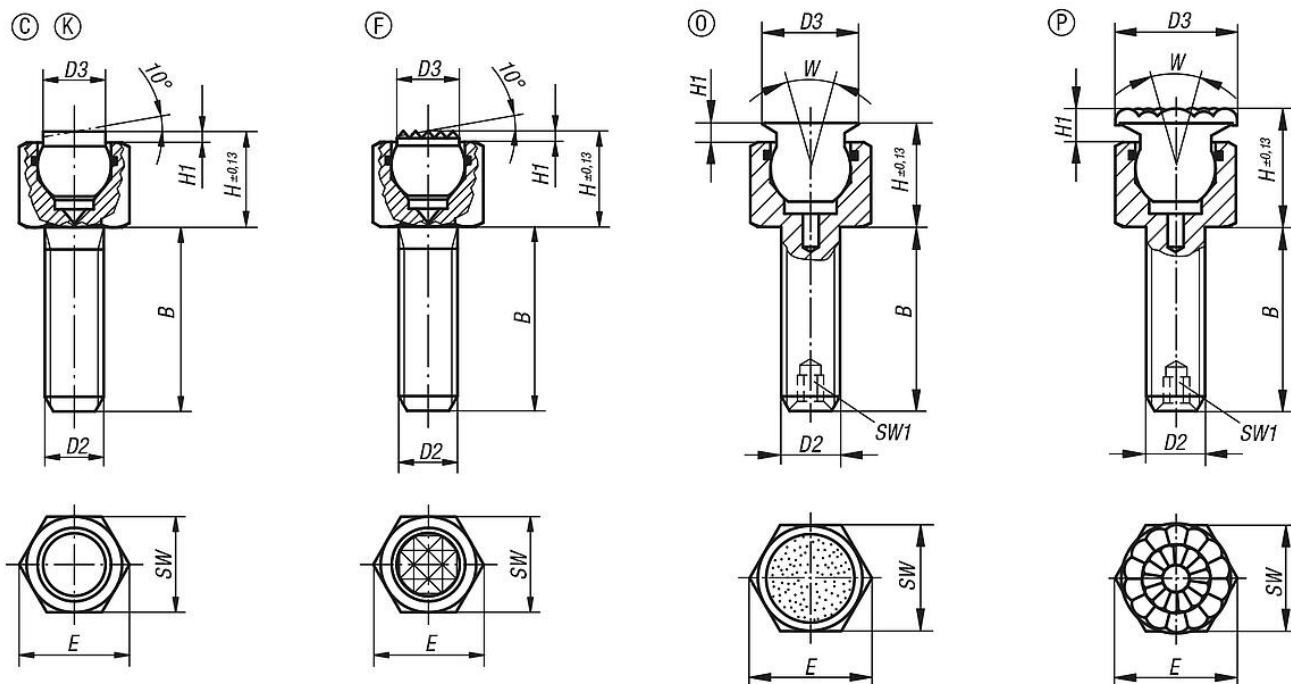
It offers optimum protection against damage to delicate surfaces. The pearl-like surface gives a firm grip and allows air to escape so as to prevent any suction effect between the contact surface and the self-aligning pads.

Advantages:

The built-in O-ring holds the ball in place and keeps dirt and foreign particles out, ensuring uniform movement.

Self-aligning pads external thread, with O-ring

Drawings



Overview of items

Self-aligning pads, external thread, with o-ring

Order No.	Form	B	D2	D3	H	H1	E	SW	Ball-Ø	Load rating max. kN (static load only)
B0153.106X012	C	12	M6	6	9,5	1,5	11,5	10	7	9
B0153.106X025	C	25	M6	6	9,5	1,5	11,5	10	7	9
B0153.106X040	C	40	M6	6	9,5	1,5	11,5	10	7	9
B0153.108X012	C	12	M8	8,5	13	1,5	15	13	10	15
B0153.108X025	C	25	M8	8,5	13	1,5	15	13	10	15
B0153.108X040	C	40	M8	8,5	13	1,5	15	13	10	15

Order No.	Form	B	D2	D3	H	H1	E	SW	Ball-Ø	Load rating max. kN (static load only)
B0153.306X012	F	12	M6	6	9,5	1,5	11,5	10	7	9
B0153.306X025	F	25	M6	6	9,5	1,5	11,5	10	7	9
B0153.306X040	F	40	M6	6	9,5	1,5	11,5	10	7	9
B0153.308X012	F	12	M8	8,5	13	1,5	15	13	10	15
B0153.308X025	F	25	M8	8,5	13	1,5	15	13	10	15
B0153.308X040	F	40	M8	8,5	13	1,5	15	13	10	15

Order No.	Form	B	D2	D3	H	H1	E	SW	Ball-Ø	Load rating max. kN (static load only)
B0153.706X012	K	12	M6	6	9,5	1,5	11,5	10	7	2
B0153.706X025	K	25	M6	6	9,5	1,5	11,5	10	7	2
B0153.706X040	K	40	M6	6	9,5	1,5	11,5	10	7	2
B0153.708X012	K	12	M8	8,5	13	1,5	15	13	10	4
B0153.708X025	K	25	M8	8,5	13	1,5	15	13	10	4
B0153.708X040	K	40	M8	8,5	13	1,5	15	13	10	4

Self-aligning pads external thread, with O-ring

Overview of items

Order No.	Form	B	D2	D3	H	H1	E	SW	Ball-Ø	Load rating max. kN (static load only)
B0153.506X012	0	12	M6	8	10	2	11,5	10	7	9,2
B0153.506X025	0	25	M6	8	10	2	11,5	10	7	9,2
B0153.506X040	0	40	M6	8	10	2	11,5	10	7	9,2
B0153.508X012	0	12	M8	11	14,5	3	15	13	10	15,5
B0153.508X025	0	25	M8	11	14,5	3	15	13	10	15,5
B0153.508X040	0	40	M8	11	14,5	3	15	13	10	15,5
B0153.510X015	0	15	M10	14	16	3	19,6	17	13	18,8
B0153.510X030	0	30	M10	14	16	3	19,6	17	13	18,8
B0153.510X050	0	50	M10	14	16	3	19,6	17	13	18,8
B0153.512X020	0	20	M12	19	19	4	21,9	19	15	29,8
B0153.512X040	0	40	M12	19	19	4	21,9	19	15	29,8
B0153.512X060	0	60	M12	19	19	4	21,9	19	15	29,8
B0153.516X025	0	25	M16	21	23	4	27,7	24	20	50,3
B0153.516X050	0	50	M16	21	23	4	27,7	24	20	50,3
B0153.516X080	0	80	M16	21	23	4	27,7	24	20	50,3

Order No.	Form	B	D2	D3	H	H1	E	SW	SW1	W	Ball-Ø
B0153.606X012	P	12	M6	10	12	4	11,5	10	-	28	7
B0153.606X025	P	25	M6	10	12	4	11,5	10	-	28	7
B0153.606X040	P	40	M6	10	12	4	11,5	10	-	28	7
B0153.608X012	P	12	M8	13	16,5	5	15	13	-	28	10
B0153.608X025	P	25	M8	13	16,5	5	15	13	-	28	10
B0153.608X040	P	40	M8	13	16,5	5	15	13	-	28	10
B0153.610X015	P	15	M10	16	18	5	19,6	17	3	28	13
B0153.610X030	P	30	M10	16	18	5	19,6	17	3	28	13
B0153.610X050	P	50	M10	16	18	5	19,6	17	3	28	13
B0153.612X020	P	20	M12	21	21	6	21,9	19	5	24	15
B0153.612X040	P	40	M12	21	21	6	21,9	19	5	24	15
B0153.612X060	P	60	M12	21	21	6	21,9	19	5	24	15
B0153.616X025	P	25	M16	23	25	6	27,7	24	6	24	20
B0153.616X050	P	50	M16	23	25	6	27,7	24	6	24	20
B0153.616X080	P	80	M16	23	25	6	27,7	24	6	24	20