

Guide rollers

Item description/product images



Description

Material:

Tread light brown Extrathane® Shore 92A or white polyamide 6 Shore 80D.

Note:

The tread is firmly bonded onto a ball bearing.

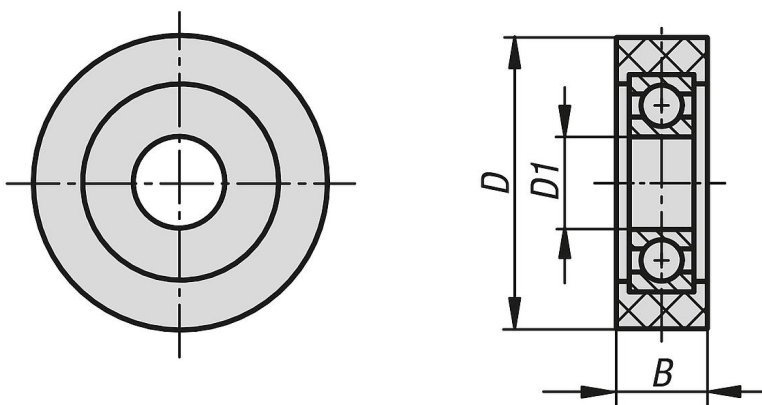
Extrathane tread: quiet running, low roll resistance, elastic, gentle on floors, very wear resistant, high cut and tear resistance, non-marking, non-staining.

Polyamide 6 tread: unbreakable, very low roll resistance, light running on smooth floors, very wear resistant.

Uses: conveyor belts, doors, etc.

Other sizes on request.

Drawings



Overview of items

Guide rollers

Order No.	Version 1	Material tread	Wheel bearing	D	D1	B	Ball bearing	Permissible load kg
B0495.03008	without locking system	extrathane	ball bearing	30	6	8	626 2RS	20
B0495.03514	without locking system	extrathane	ball bearing	35	12	14	60002RS	40
B0495.04020	without locking system	extrathane	ball bearing	40	10	20	60002RS	40
B0495.05015	without locking system	extrathane	ball bearing	50	10	15	6200 2RS	60
B0495.06020	without locking system	extrathane	ball bearing	60	17	20	6203 2RS	90
B0495.07020	without locking system	extrathane	ball bearing	70	25	20	6205 2RS	125
B0495.030081	without locking system	polyamide 6	ball bearing	30	6	8	626 2RS	35
B0495.035111	without locking system	polyamide 6	ball bearing	35	8	11	6082RS	55
B0495.040201	without locking system	polyamide 6	ball bearing	40	10	20	6200 2RS	100
B0495.050151	without locking system	polyamide 6	ball bearing	50	10	15	6200 2RS	100
B0495.060201	without locking system	polyamide 6	ball bearing	60	17	20	6203 2RS	165
B0495.070201	without locking system	polyamide 6	ball bearing	70	25	20	6205 2RS	185

Guide rollers

Overview of items
