

Rollers heavy-load

Item description/product images



Description

Material:

Wheel body steel tube with ball bearing.

Tread Extrathane® 92 Shore A.

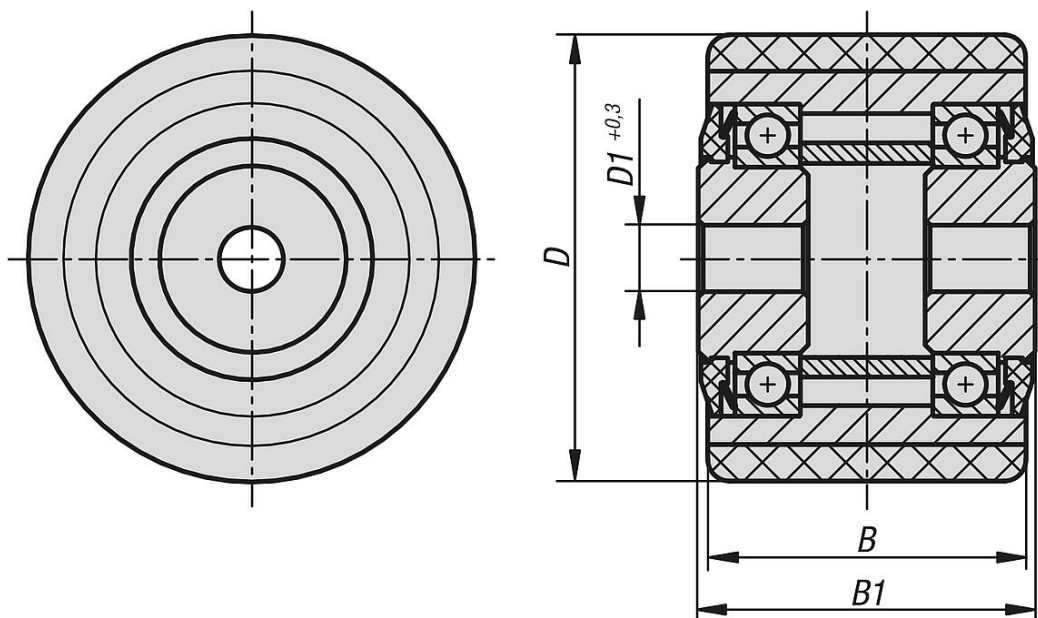
Note:

The ball bearing is splashproof. The tread is firmly bonded. These rollers resist abrasion, are non-staining, gentle to floors, low-noise, elastic, have low roll resistance and have a particularly high elastic restoration after long standing high cut and tear resistance.

Uses: pallet trucks, forklift, etc.

Other sizes on request.

Drawings



Overview of items

Rollers heavy-load

Order No.	Wheel bearing	D	D1	B	B1	Permissible load kg
B0497.0856020	ball bearing	85	20	60	65	450
B0497.0856025	ball bearing	85	25	60	65	450
B0497.0857520	ball bearing	85	20	75	80	570
B0497.0857525	ball bearing	85	25	75	80	570
B0497.0859525	ball bearing	85	25	95	100	720

Rollers heavy-load

Overview of items
