

Knurled screws plastic

Item description/product images



Description

Material:

Reinforced polyamide thermoplastic, black grey.
Threaded pin 5.8 steel or stainless steel 1.4305.

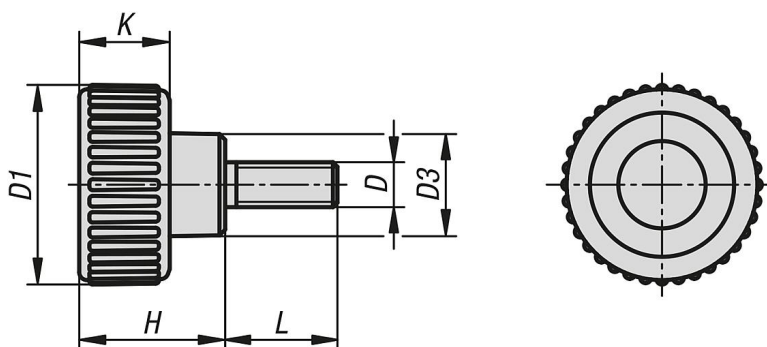
Version:

Threaded pin trivalent blue passivated steel, bright stainless steel.

Advantages:

The knurled screws can be tightened or loosened without tools.
Suitable for manual fixing and clamping.
Various thread sizes and lengths.

Drawings



Overview of items

Knurled screws plastic

Order No.	Component material	D	D1	D3	H	K	L
B0273.1804X10	steel	M4	18	9	13	8	10
B0273.1804X15	steel	M4	18	9	13	8	15
B0273.2005X10	steel	M5	20	10,6	15	9	10
B0273.2005X15	steel	M5	20	10,6	15	9	15
B0273.2005X20	steel	M5	20	10,6	15	9	20
B0273.2506X10	steel	M6	25	12	17	10	10
B0273.2506X15	steel	M6	25	12	17	10	15
B0273.2506X20	steel	M6	25	12	17	10	20
B0273.2506X30	steel	M6	25	12	17	10	30
B0273.2506X40	steel	M6	25	12	17	10	40
B0273.3208X15	steel	M8	32	14	22	13	15
B0273.3208X20	steel	M8	32	14	22	13	20
B0273.3208X30	steel	M8	32	14	22	13	30
B0273.3208X40	steel	M8	32	14	22	13	40
B0273.4010X20	steel	M10	40	18	25	14	20
B0273.4010X30	steel	M10	40	18	25	14	30
B0273.4010X40	steel	M10	40	18	25	14	40
B0273.18042X10	stainless steel	M4	18	9	13	8	10
B0273.18042X15	stainless steel	M4	18	9	13	8	15
B0273.20052X10	stainless steel	M5	20	10,6	15	9	10
B0273.20052X15	stainless steel	M5	20	10,6	15	9	15
B0273.20052X20	stainless steel	M5	20	10,6	15	9	20
B0273.25062X10	stainless steel	M6	25	12	17	10	10

Knurled screws plastic

Overview of items

Order No.	Component material	D	D1	D3	H	K	L
B0273.25062X15	stainless steel	M6	25	12	17	10	15
B0273.25062X20	stainless steel	M6	25	12	17	10	20
B0273.25062X30	stainless steel	M6	25	12	17	10	30
B0273.25062X40	stainless steel	M6	25	12	17	10	40
B0273.32082X15	stainless steel	M8	32	14	22	13	15
B0273.32082X20	stainless steel	M8	32	14	22	13	20
B0273.32082X30	stainless steel	M8	32	14	22	13	30
B0273.32082X40	stainless steel	M8	32	14	22	13	40
B0273.40102X20	stainless steel	M10	40	18	25	14	20
B0273.40102X30	stainless steel	M10	40	18	25	14	30
B0273.40102X40	stainless steel	M10	40	18	25	14	40