

Knurled screws

Item description/product images



Description

Product description:

Due to their extremely flat design, these grips can be used in very cramped spaces. The fluting around the edge improves gripping.

Material, version:

Grip black hard thermoplastic.
Coating black soft thermoplastic.
Tapped bush brass.
Screw electro zinc-plated steel grade 5.8.

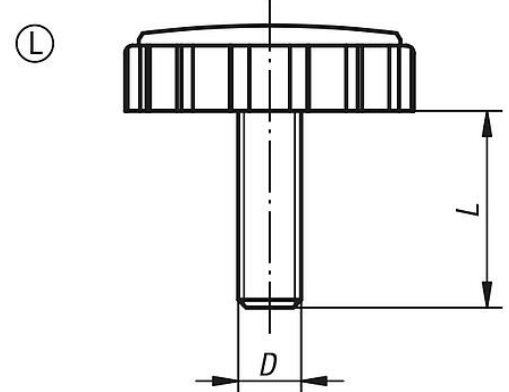
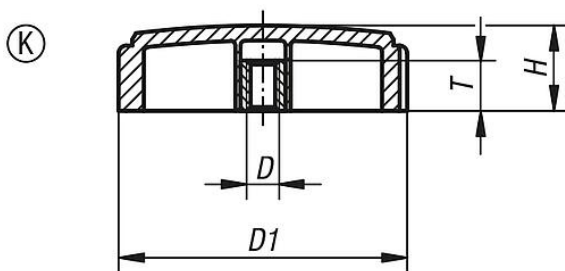
Note:

SYMPA TOUCH Knurled screws are available in one grip size with internal and external threads.

On request:

Other screw sizes, screw lengths, versions and colours.

Drawings



Overview of items

Knurled screw with internal thread

Order No.	Form	D	D1	H	T
B0274.5705	K	M5	57,4	17	12,5
B0274.5706	K	M6	57,4	17	12,5
B0274.5708	K	M8	57,4	17	12,5
B0274.5710	K	M10	57,4	17	12,5