

Knurled knobs

Item description/product images



Description

Material:

Grip black grey thermoplastic.
 Bush brass or stainless steel 1.4305.
 Screw steel 5.8 or stainless steel 1.4305.

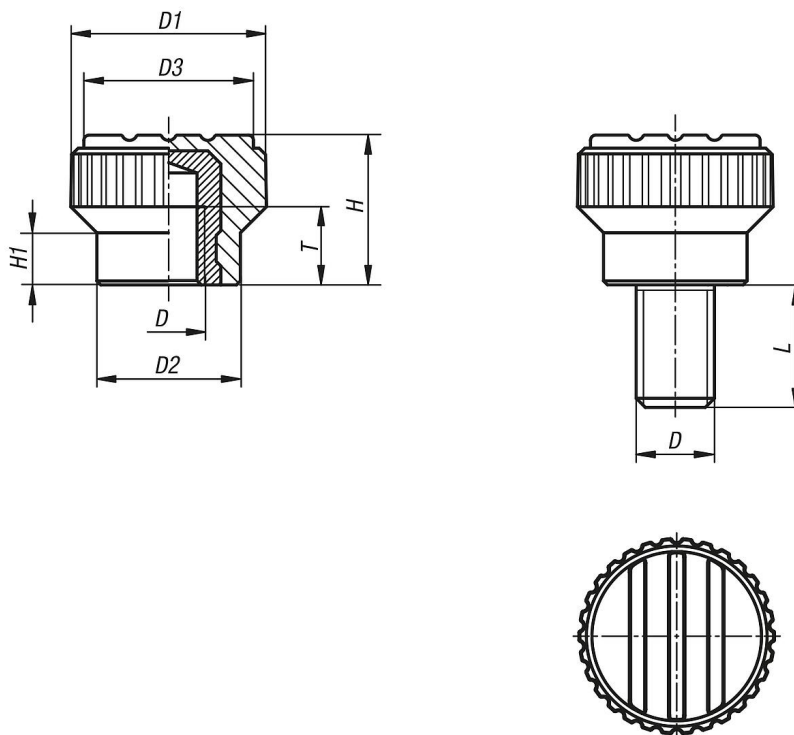
Version:

Steel trivalent blue passivated.
 Stainless steel, bright.

On request:

Other colours.

Drawings



Overview of items

Knurled knobs

Order No.	Thread type	Component material	D	D1	D2	D3	H	H1	T	L
B0279.003	internal thread	brass	M3	15	11	13	11,5	4,3	4,5	-
B0279.004	internal thread	brass	M4	15	11	13	11,5	4,3	6	-
B0279.005	internal thread	brass	M5	15	11	13	11,5	4,3	6	-
B0279.0003	internal thread	stainless steel	M3	15	11	13	11,5	4,3	4,5	-
B0279.0004	internal thread	stainless steel	M4	15	11	13	11,5	4,3	6	-
B0279.0005	internal thread	stainless steel	M5	15	11	13	11,5	4,3	6	-
B0279.003X8	external thread	steel	M3	15	11	13	11,5	4,3	-	8
B0279.003X10	external thread	steel	M3	15	11	13	11,5	4,3	-	10
B0279.003X12	external thread	steel	M3	15	11	13	11,5	4,3	-	12
B0279.003X15	external thread	steel	M3	15	11	13	11,5	4,3	-	15

Knurled knobs

Overview of items

Order No.	Thread type	Component material	D	D1	D2	D3	H	H1	T	L
B0279.004X8	external thread	steel	M4	15	11	13	11,5	4,3	-	8
B0279.004X10	external thread	steel	M4	15	11	13	11,5	4,3	-	10
B0279.004X12	external thread	steel	M4	15	11	13	11,5	4,3	-	12
B0279.004X15	external thread	steel	M4	15	11	13	11,5	4,3	-	15
B0279.005X10	external thread	steel	M5	15	11	13	11,5	4,3	-	10
B0279.005X12	external thread	steel	M5	15	11	13	11,5	4,3	-	12
B0279.005X15	external thread	steel	M5	15	11	13	11,5	4,3	-	15
B0279.005X20	external thread	steel	M5	15	11	13	11,5	4,3	-	20
B0279.006X10	external thread	steel	M6	15	11	13	11,5	4,3	-	10
B0279.006X15	external thread	steel	M6	15	11	13	11,5	4,3	-	15
B0279.006X20	external thread	steel	M6	15	11	13	11,5	4,3	-	20
B0279.006X25	external thread	steel	M6	15	11	13	11,5	4,3	-	25
B0279.0003X8	external thread	stainless steel	M3	15	11	13	11,5	4,3	-	8
B0279.0003X10	external thread	stainless steel	M3	15	11	13	11,5	4,3	-	10
B0279.0003X12	external thread	stainless steel	M3	15	11	13	11,5	4,3	-	12
B0279.0003X15	external thread	stainless steel	M3	15	11	13	11,5	4,3	-	15
B0279.0004X8	external thread	stainless steel	M4	15	11	13	11,5	4,3	-	8
B0279.0004X10	external thread	stainless steel	M4	15	11	13	11,5	4,3	-	10
B0279.0004X12	external thread	stainless steel	M4	15	11	13	11,5	4,3	-	12
B0279.0004X15	external thread	stainless steel	M4	15	11	13	11,5	4,3	-	15
B0279.0005X10	external thread	stainless steel	M5	15	11	13	11,5	4,3	-	10
B0279.0005X12	external thread	stainless steel	M5	15	11	13	11,5	4,3	-	12
B0279.0005X15	external thread	stainless steel	M5	15	11	13	11,5	4,3	-	15
B0279.0005X20	external thread	stainless steel	M5	15	11	13	11,5	4,3	-	20
B0279.0006X10	external thread	stainless steel	M6	15	11	13	11,5	4,3	-	10
B0279.0006X15	external thread	stainless steel	M6	15	11	13	11,5	4,3	-	15
B0279.0006X20	external thread	stainless steel	M6	15	11	13	11,5	4,3	-	20
B0279.0006X25	external thread	stainless steel	M6	15	11	13	11,5	4,3	-	25