

Clamp springs

Item description/product images



Description

Material:

Thrust and retaining ring carbon steel.

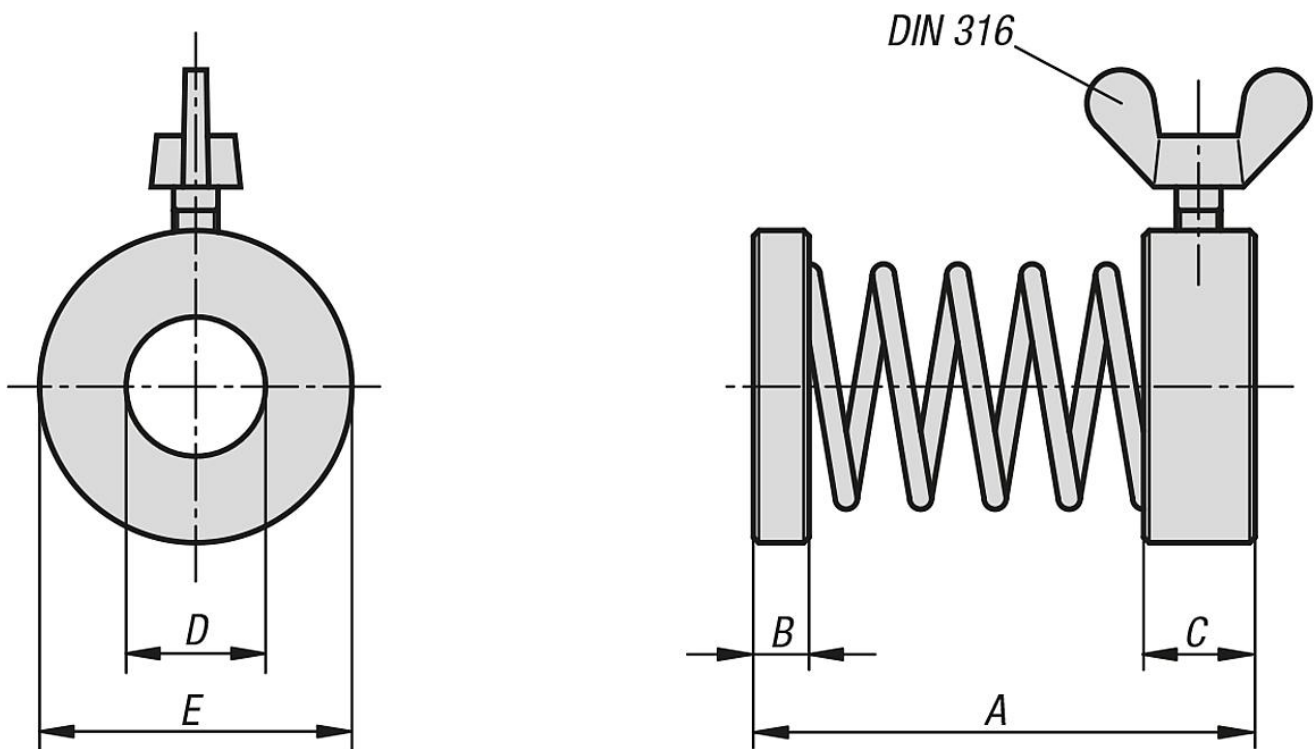
Spring, spring steel.

Version:

Thrust and retaining ring black oxidised.

Spring bright.

Drawings



Overview of items

Clamp springs

Order No.	A	B	C	D	E	Wing nuts to DIN 316
B0409.08029	29	2	6	8,5	16	M4x6
B0409.12046	46	3	8	13	25	M4x10
B0409.16050	50	4	8	16,5	28	M5x10

Clamp springs

Overview of items
