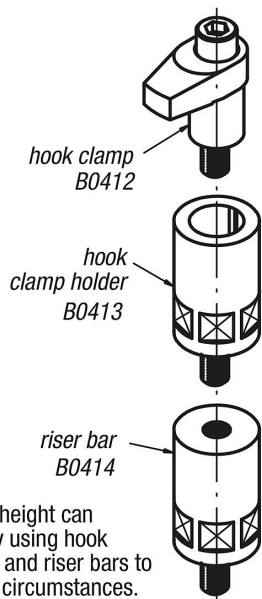


## Hook clamps

### Item description/product images



The clamping height can be adjusted by using hook clamp holders and riser bars to suit individual circumstances.

### Description

**Material:**

Carbon steel, tempered.

**Version:**

Form A-C: black oxidised. Shaft diameter ground.

Form D: black oxidised.

**Note:**

The stated clamping forces (F max.) and tightening torques are valid within the stated clamping ranges (H5).

**Advantages:**

Compact design for use in the tightest of spaces

Diverse versions and sizes

**Accessory:**

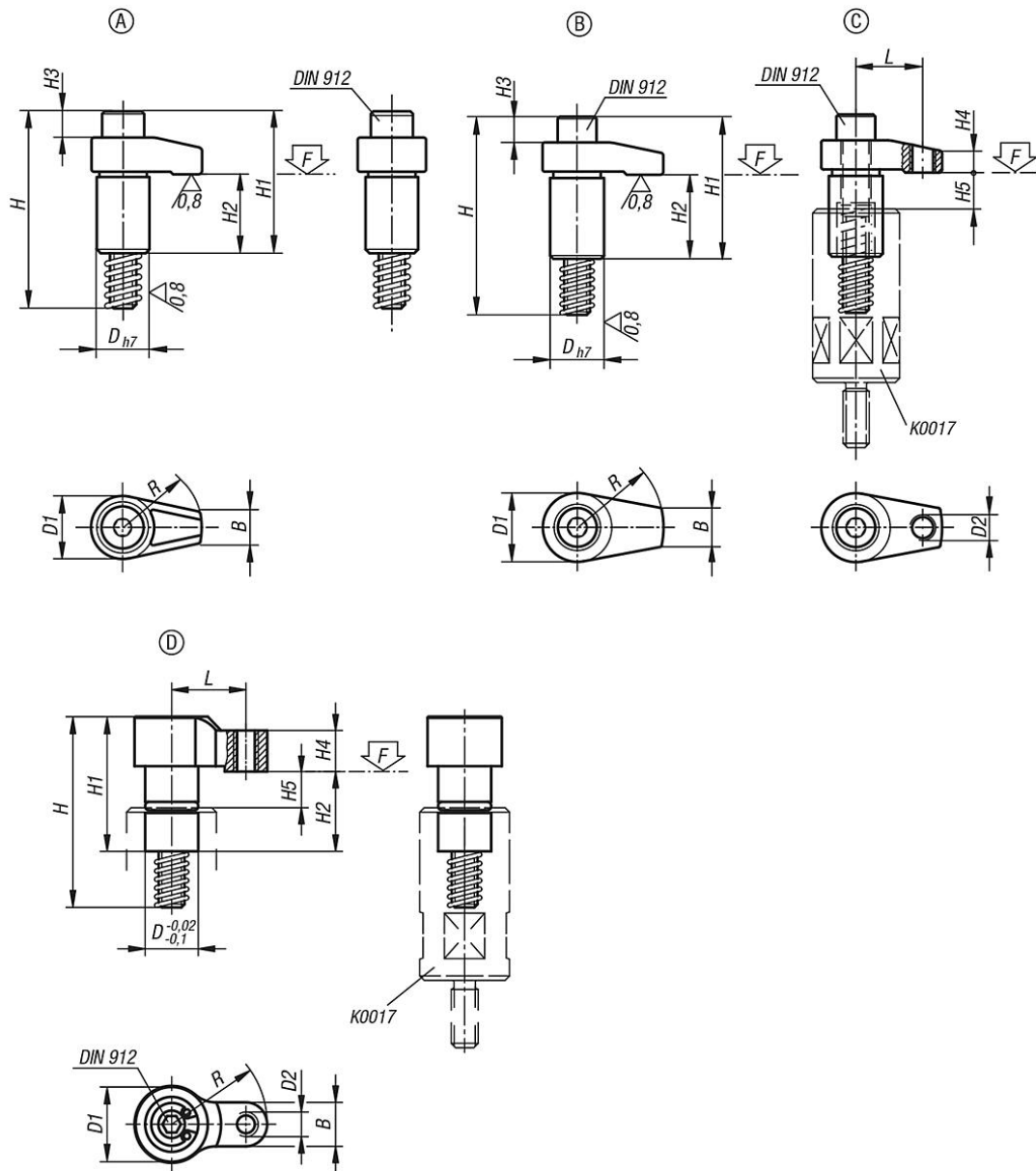
Hook clamp holders B0413.

Hook clamp holders B0415.

Extensions for jack screws B0414.

## Hook clamps

### Drawings



### Overview of items

#### Hook clamps

Order No.	Form	D	D1	D2	H	H1	H2	H3	H4	H5 max. clamping range	B	L	R	Socket head screw DIN 912	Tightening torque max. Nm	F max. kN
B0412.110030	A	20	25	-	75	54	30	9	10	12	12	-	30	M10x65	37,2	13
B0412.110040	A	20	25	-	75	54	30	9	10	12	12	-	40	M10x65	31,4	9,8
B0412.208020	B	18	22	-	58	37	23	2	7	10	10	-	20	M8x50	37,2	13,6
B0412.208025	B	18	22	-	58	37	23	2	7	10	10	-	25	M8x50	32,3	10,9
B0412.208030	B	18	22	-	58	37	23	2	7	10	10	-	30	M8x50	29,4	9
B0412.212040	B	25	32	-	92	66	39	11	12	15	18	-	40	M12x80	58,8	17,5
B0412.212050	B	25	32	-	92	68	39	11	12	15	18	-	50	M12x80	49	14
B0412.212060	B	25	32	-	92	68	39	11	12	15	18	-	60	M12x80	45,1	11,6
B0412.216040	B	32	36	-	101	75	39	15	15	15	22	-	40	M16x85	166,6	37,9
B0412.216050	B	32	36	-	101	75	39	15	15	15	22	-	50	M16x85	147	30,4
B0412.216060	B	32	36	-	101	75	39	15	15	15	22	-	60	M16x85	127,4	25,2
B0412.312140	C	25	32	M12	92	66	39	11	10	15	18	31	40	M12x80	58,8	22,6

## Hook clamps

### Overview of items

Order No.	Form	D	D1	D2	H	H1	H2	H3	H4	H5 max. clamping range	B	L	R	Socket head screw DIN 912	Tightening torque max. Nm	F max. kN
<b>B0412.312150</b>	C	25	32	M12	92	68	39	11	13	15	18	38	50	M12x80	49	18,5
<b>B0412.312160</b>	C	25	32	M12	92	68	39	11	13	15	18	46	60	M12x80	45,1	15,2
<b>B0412.316150</b>	C	32	36	M12	101	75	39	15	16	15	22	38	50	M16x85	147	38
<b>B0412.316160</b>	C	32	36	M12	101	75	39	15	16	15	22	46	60	M16x85	127,4	33
<b>B0412.404118</b>	D	10	14	M4	37	24,5	14,5	-	7,5	3	8	14	18	M4x30	2,7	2
<b>B0412.406122</b>	D	12	16	M5	44	30,5	17,5	-	9,5	4	10	17	22	M6x35	7	3,5