

Hook clamp holders

Item description/product images



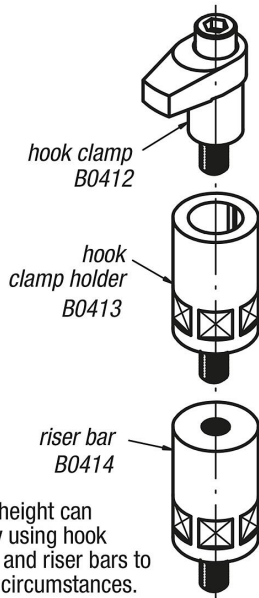
Description

Material:
Carbon steel.

Version:
Black oxidised.

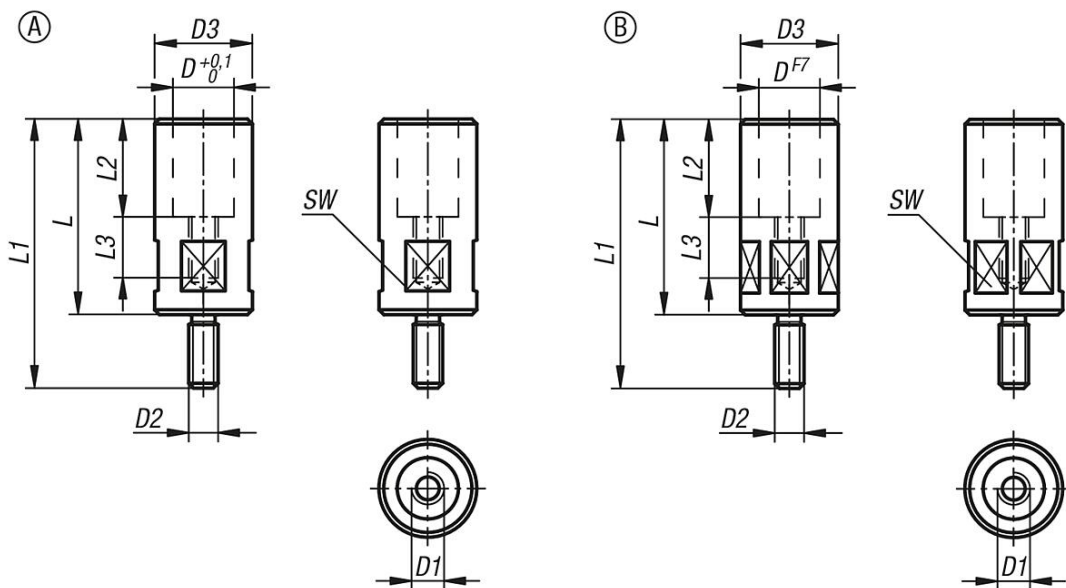
Note:
Hook clamp holders are for holding and raising hook clamps.

Accessory:
Hook clamps B0412.
Extensions for jack screws B0414.



The clamping height can be adjusted by using hook clamp holders and riser bars to suit individual circumstances.

Drawings



Overview of items

Hook clamp holders

Hook clamp holders

Overview of items

Order No.	Form	Form definition	D	D1	D2	D3	L	L1	L2	L3	SW	Tightening torque max. Nm
B0413.04035	A	with square	10	M4	M6	14	35	46	16	13	12	2,7
B0413.06040	A	with square	12	M6	M8	16	40	54	19	14	13	7
B0413.08055	B	with hexagon	18	M8	M8	24	55	74	25	20	22	29,4
B0413.10063	B	with hexagon	20	M10	M12	32	63	93	30	21	30	39,2
B0413.10080	B	with hexagon	20	M10	M12	32	80	110	30	23	30	39,2
B0413.12080	B	with hexagon	25	M12	M12	40	80	110	40	25	36	49
B0413.12100	B	with hexagon	25	M12	M12	40	100	130	40	28	36	49
B0413.16080	B	with hexagon	32	M16	M16	50	80	110	40	25	46	78,4
B0413.16100	B	with hexagon	32	M16	M16	50	100	130	40	28	46	78,4