

Tension levers flat internal thread

Item description/product images



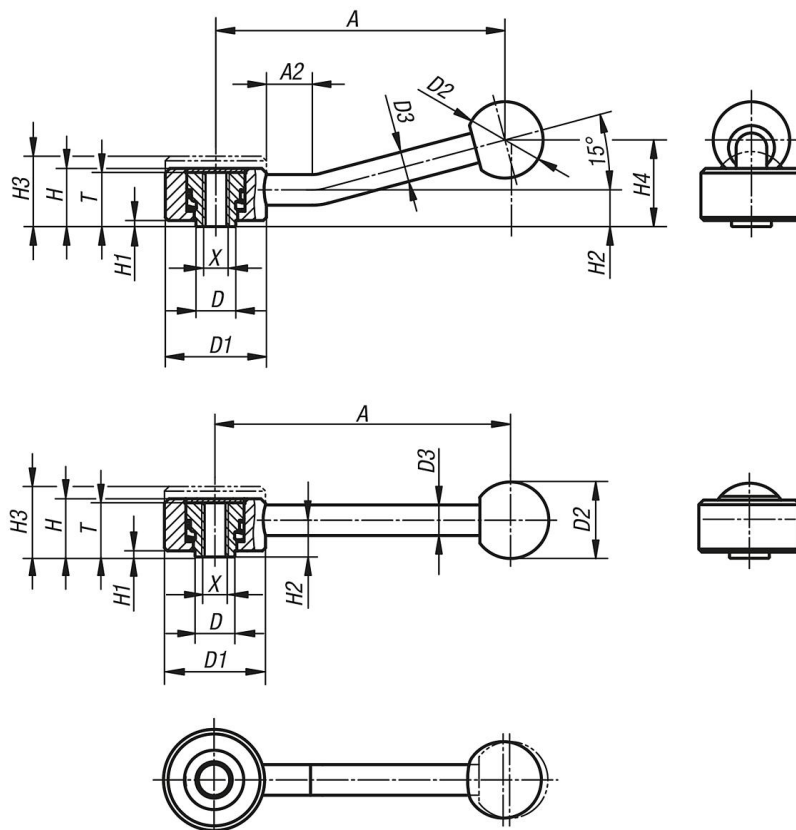
Description

Material:
Steel parts grade 5.8.
Ball knob black plastic.

Version:
Black oxidised.

On request:
Other threads and special versions.
Dimensions "H1" and "A" available in other lengths at extra charge.

Drawings



Tension levers flat internal thread

Overview of items

Tension levers, flat, with internal thread

Order No.	Form	X	T	A	A2	D	D1	D2	D3	H	H1	H2	H3	H4	No. of teeth
B0249.1061	0°	M6	18	102	-	13,5	33	25	10	19	2	12	23	-	26
B0249.1081	0°	M8	18	102	-	13,5	33	25	10	19	2	12	23	-	26
B0249.2101	0°	M10	21	131	-	19	41	30	12	22	2	13,5	26	-	30
B0249.2121	0°	M12	21	131	-	19	41	30	12	22	2	13,5	26	-	30
B0249.3121	0°	M12	27	148	-	23	45	37	14	28	2	17	33	-	36
B0249.3161	0°	M16	27	148	-	23	45	37	14	28	2	17	33	-	36
B0249.1062	15°	M6	18	100	15	13,5	33	25	10	19	2	12	23	29	26
B0249.1082	15°	M8	18	100	15	13,5	33	25	10	19	2	12	23	29	26
B0249.2102	15°	M10	21	127	15	19	41	30	12	22	2	13,5	26	38	30
B0249.2122	15°	M12	21	127	15	19	41	30	12	22	2	13,5	26	38	30
B0249.3122	15°	M12	27	145	15	23	45	37	14	28	2	17	33	48	36
B0249.3162	15°	M16	27	145	15	23	45	37	14	28	2	17	33	48	36