

Tension levers internal thread

Item description/product images



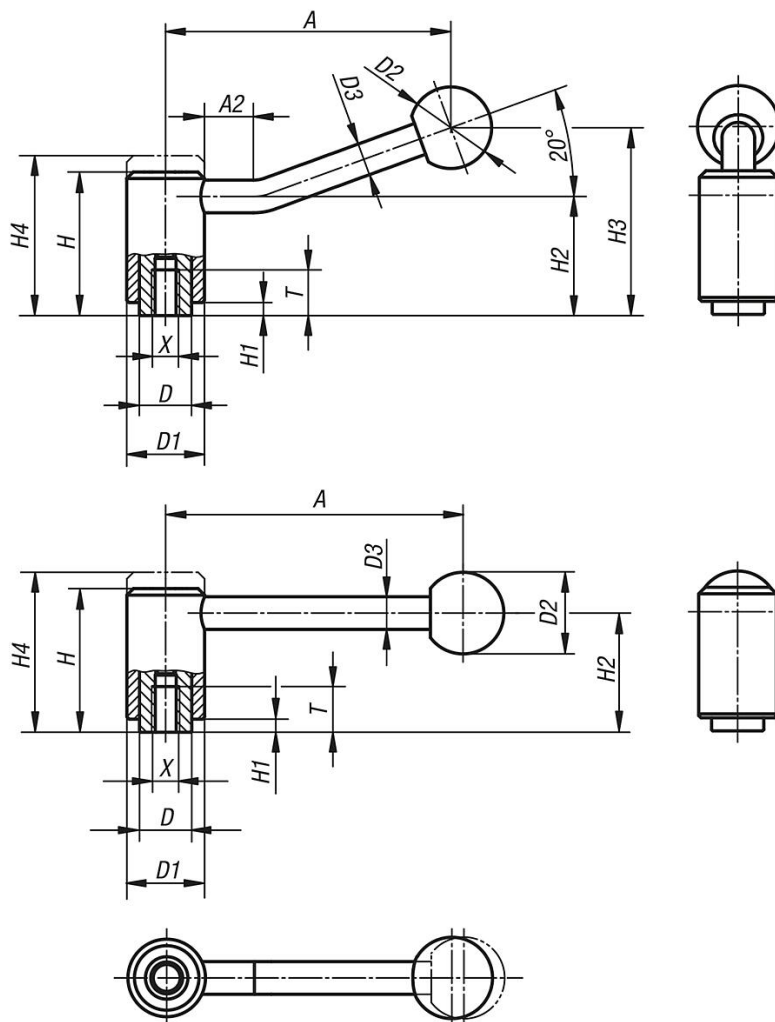
Description

Material:
Steel parts grade 5.8.
Ball knob black plastic.

Version:
Powder-coated with fine texture, black.

On request:
Other threads and special versions.
Dimensions "H1" and "A" available in other lengths at extra charge.

Drawings



Overview of items

Tension levers with internal thread

Order No.	Form	X	T	A	A2	D	D1	D2	D3	H	H1	H2	H3	H4	No. of teeth
B0251.1082	0°	M8	14	92	-	16	24	25	10	44,5	4,5	37	-	49,5	22

Tension levers internal thread

Overview of items

Order No.	Form	X	T	A	A2	D	D1	D2	D3	H	H1	H2	H3	H4	No. of teeth
B0251.1102	0°	M10	14	92	-	16	24	25	10	44,5	4,5	37	-	49,5	22
B0251.2102	0°	M10	17	111	-	19	28	32	12	51,5	5,5	42	-	57,5	24
B0251.2122	0°	M12	17	111	-	19	28	32	12	51,5	5,5	42	-	57,5	24
B0251.3122	0°	M12	23	134,5	-	23	33	32	13	58	6	47	-	65	26
B0251.3162	0°	M16	23	134,5	-	23	33	32	13	58	6	47	-	65	26
B0251.4162	0°	M16	27	134	-	30	41	32	13	68,5	7,5	56,5	-	76,5	36
B0251.4202	0°	M20	27	134	-	30	41	32	13	68,5	7,5	56,5	-	76,5	36
B0251.4242	0°	M24	27	134	-	30	41	32	13	68,5	7,5	56,5	-	76,5	36
B0251.1081	20°	M8	14	88	15	16	24	25	10	44,5	4,5	37	58,5	49,5	22
B0251.1101	20°	M10	14	88	15	16	24	25	10	44,5	4,5	37	58,5	49,5	22
B0251.2101	20°	M10	17	106	15	19	28	32	12	51,5	5,5	42	68,5	57,5	24
B0251.2121	20°	M12	17	106	15	19	28	32	12	51,5	5,5	42	68,5	57,5	24
B0251.3121	20°	M12	23	128,5	15	23	33	32	13	58	6	47	81	65	26
B0251.3161	20°	M16	23	128,5	15	23	33	32	13	58	6	47	81	65	26
B0251.4161	20°	M16	27	128,5	15	30	41	32	13	68,5	7,5	56,5	89,5	76,5	36
B0251.4201	20°	M20	27	128,5	15	30	41	32	13	68,5	7,5	56,5	89,5	76,5	36
B0251.4241	20°	M24	27	128,5	15	30	41	32	13	68,5	7,5	56,5	89,5	76,5	36