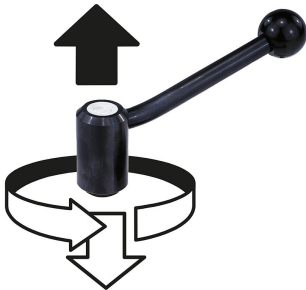


Tension levers internal thread, stainless steel

Item description/product images



lift to
disengage



Description

Material:

Steel parts stainless steel 1.4305.

Ball knob black plastic.

Version:

Stainless steel parts bright.

Ball knob polished.

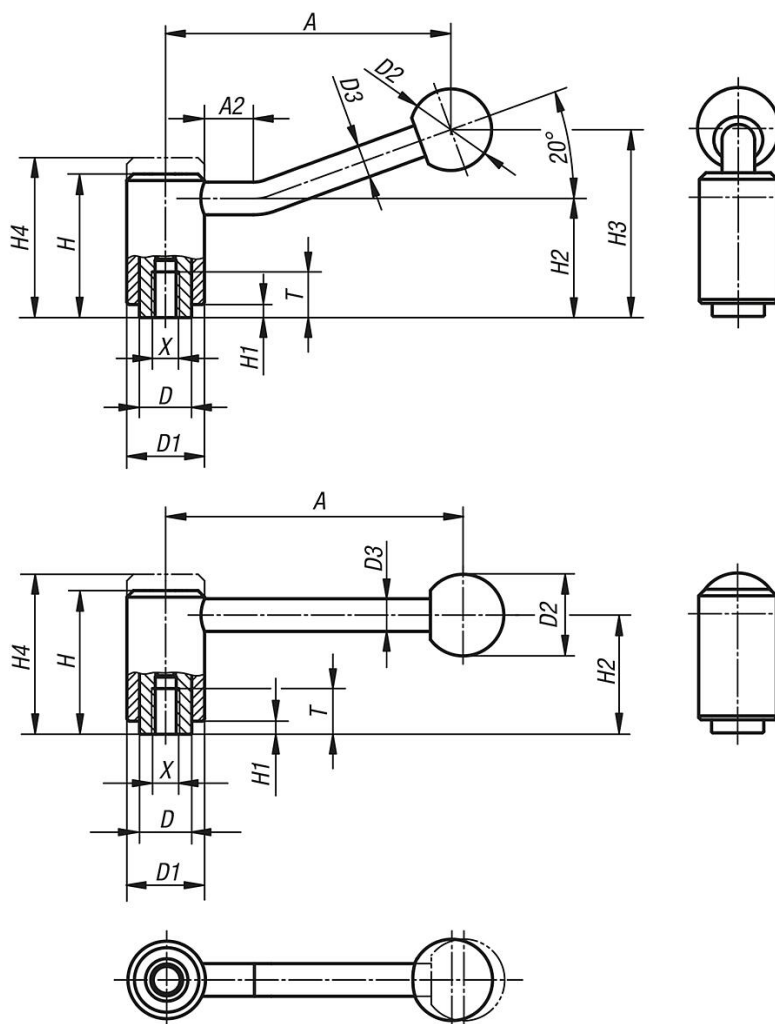
On request:

Other threads and special versions.

Dimensions "H1" and "A" available in other lengths at extra charge.

Tension levers internal thread, stainless steel

Drawings



Overview of items

Tension levers, internal thread, stainless steel

Order No.	Form	X	T	A	A2	D	D1	D2	D3	H	H1	H2	H3	H4	No. of teeth
B0255.1082	0°	M8	14	92	-	16	24	25	10	44,5	4,5	37	-	49,5	22
B0255.1102	0°	M10	14	92	-	16	24	25	10	44,5	4,5	37	-	49,5	22
B0255.2102	0°	M10	17	111	-	19	28	32	12	51,5	5,5	42	-	57,5	24
B0255.2122	0°	M12	17	111	-	19	28	32	12	51,5	5,5	42	-	57,5	24
B0255.3122	0°	M12	23	134,5	-	23	33	32	13	58	6	47	-	65	26
B0255.3162	0°	M16	23	134,5	-	23	33	32	13	58	6	47	-	65	26
B0255.4162	0°	M16	27	134	-	30	41	32	13	68,5	7,5	56,5	-	76,5	36
B0255.4202	0°	M20	27	134	-	30	41	32	13	68,5	7,5	56,5	-	76,5	36
B0255.1081	20°	M8	14	88	15	16	24	25	10	44,5	4,5	37	58,5	49,5	22
B0255.1101	20°	M10	14	88	15	16	24	25	10	44,5	4,5	37	58,5	49,5	22
B0255.2101	20°	M10	17	106	15	19	28	32	12	51,5	5,5	42	68,5	57,5	24
B0255.2121	20°	M12	17	106	15	19	28	32	12	51,5	5,5	42	68,5	57,5	24
B0255.3121	20°	M12	23	128,5	15	23	33	32	13	58	6	47	81	65	26
B0255.3161	20°	M16	23	128,5	15	23	33	32	13	58	6	47	81	65	26
B0255.4161	20°	M16	27	128,5	15	30	41	32	13	68,5	7,5	56,5	89,5	76,5	36
B0255.4201	20°	M20	27	128,5	15	30	41	32	13	68,5	7,5	56,5	89,5	76,5	36

Tension levers internal thread, stainless steel

Overview of items
