

## Screw plugs

### Item description/product images



### Description

**Material:**

Thermoplastic polyamide 66, reinforced with 30% fibreglass.

**Version:**

Black. Flat seal asbestos-free

**Temperature range:**

Temperature resistant with oil up to 100°C.

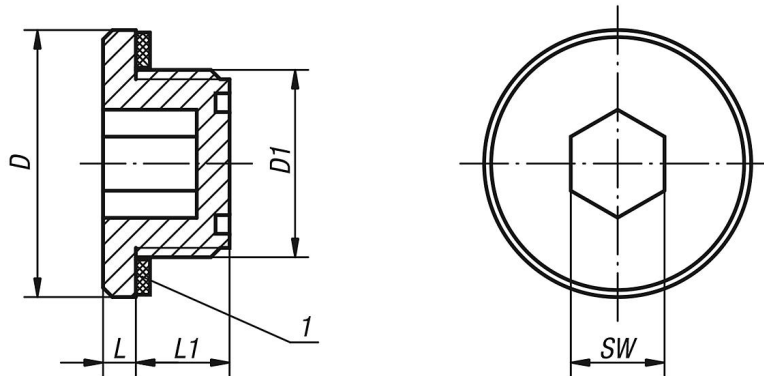
**On request:**

O-ring or materials with higher stability.

**Drawing reference:**

1) flat seal

### Drawings



### Overview of items

#### Screw plugs

Order No.	D	D1	L	L1	SW	Tightening torque max. Nm
B0473.18014	18,2	G1/4	2,5	8	6	3
B0473.22038	22,5	G3/8	3,5	10,5	8	6
B0473.28012	28,5	G1/2	3,5	10,5	10	8
B0473.35034	35	G3/4	4	10,5	12	10
B0473.201415	20	M14X1,5	2,5	8	6	3
B0473.221615	22,5	M16X1,5	3,5	11	8	6
B0473.261815	26	M18X1,5	3	10	10	7
B0473.282015	28,5	M20X1,5	3	11	10	7
B0473.282215	28,5	M22X1,5	3,5	10,5	10	7
B0473.352615	35	M26X1,5	3	12	12	10

**B0473**

**Screw plugs**

