

Press-in plugs

Item description/product images



Description

Material:

Housing and cap thermoplastic polyamide 66.
Air filter polyurethane (PU foam).
O-ring rubber (NBR).

Version:

Housing black.
Cap red.
Filter mesh 50 μm .

Temperature range:

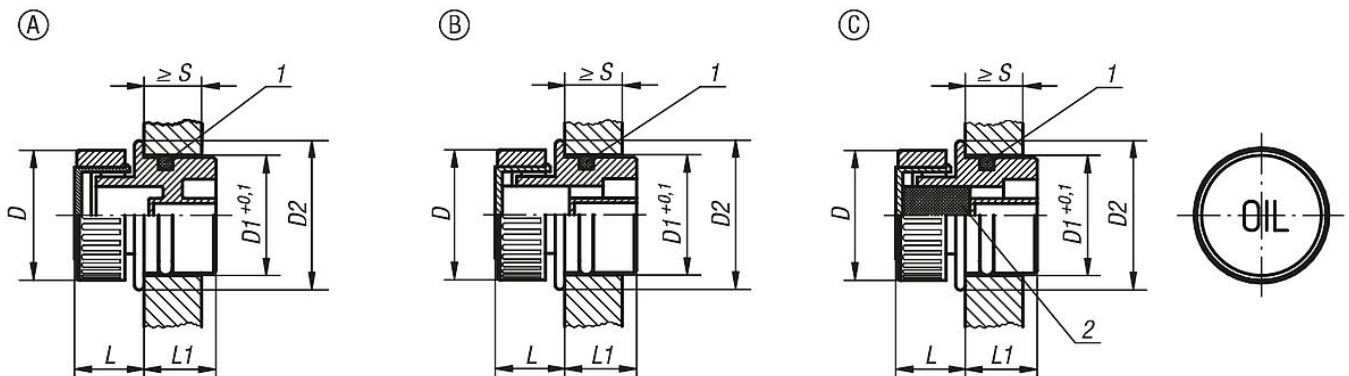
Temperature resistant with oil up to 100°C.

Drawing reference:

Form A: without vent
Form B: with vent
Form C: with vent and air filter

- 1) O-ring
2) air filter Form C only

Drawings



Overview of items